

SINGER®

3321 Instruction Manual

IMPORTANT SAFETY INSTRUCTIONS

When using an electrical appliance, basic safety should always be followed, including the following:

Read all instructions before using this sewing machine.

DANGER - To reduce the risk of electric shock:

1. An appliance should never be left unattended when plugged in.
2. Always unplug this appliance from the electric outlet immediately after using and before cleaning.
3. Always unplug before re-lamping. Replace bulb with same type rated 10 watts (110-120V area) or 15 watts (220-240V area).

WARNING - To reduce the risk of burns, fire, electric shock, or injury to persons:

1. Do not allow to be used as a toy. Close attention is necessary when this appliance is used by or near children.
2. Use this appliance only for its intended use as described in this manual. Use only attachments recommended by the manufacturer as contained in this manual.
3. Never operate this appliance if it has a damaged cord or plug, if it is not working properly, if it has been dropped or damaged, or dropped into water. Return the appliance to the nearest authorized dealer or service center for examination, repair, electrical or mechanical adjustment.
4. Never operate the appliance with any air openings blocked. Keep ventilation openings of the sewing machine and foot controller free from accumulation of lint, dust, and loose cloth.
5. Keep fingers away from all moving parts. Special care is required around the sewing machine needle.
6. Always use the proper needle plate. The wrong plate can cause the needle to break.
7. Do not use bent needles.
8. Do not pull or push fabric while stitching. It may deflect the

needle causing it to break.

9. Switch the sewing machine off ("O") when making any adjustments in the needle area, such as threading needle, changing needle, threading bobbin, or changing presser foot, and the like.
10. Always unplug sewing machine from the electrical outlet when removing covers, lubricating, or when making any other user servicing adjustments mentioned in the instruction manual.
11. Never drop or insert any object into any opening.
12. Do not use outdoors.
13. Do not operate where aerosol spray products are being used or where oxygen is being administered.
14. To disconnect, turn all controls to the off ("O") position, then remove plug from outlet.
15. Do not unplug by pulling on cord. To unplug, grasp the plug, not the cord.
16. The sound pressure level under normal operating conditions is 75dB(A).
17. Please turn off the machine or unplug when the machine is not operating properly.
18. Never place anything on the foot controller.
19. If the supply cord that is fixed with foot controller is damaged, it must be replaced by the manufacturer or its service agent or a similar qualified person in order to avoid a hazard.
20. This appliance is not intended for use by persons (including children) with reduced physical, sensory or mental capabilities, or lack of experience and knowledge, unless they have been given supervision or instruction concerning use of the appliance by a person responsible for their safety.
21. Children should be supervised to ensure that they do not play with the appliance.

SAVE THESE INSTRUCTIONS

This sewing machine is intended for household use only.

Congratulations

As the owner of a new Singer sewing machine, you are about to begin an exciting adventure in creativity. From the moment you first use your machine, you will know you are sewing on one of the easiest to use sewing machines ever made.

May we recommend that, before you start to use your sewing machine, you discover the many features and the ease of operation by going through this instruction book, step by step, seated at your machine.

To ensure that you are always provided with the most modern sewing capabilities, the manufacturer reserves the right to change the appearance, design or accessories of this sewing machine when considered necessary.

SINGER is a registered trademark of The Singer Company Limited or its affiliates.

© 2010 The Singer Company Limited or its affiliates. All rights reserved.

List of Contents

Machine Basics

Principle Parts of the Machine.....	2/3
Connecting Machine to Power Source.....	4
Two Step Presser Foot Lifter.....	5
Accessories.....	6

Threading the Machine

Winding the Bobbin.....	7
Inserting the Bobbin.....	8
Threading the Upper Thread.....	9
Automatic Needle Threader.....	10
Raising the Bobbin Thread.....	11
Thread Tension.....	12

Sewing

How to Choose Your Pattern.....	13
Stitch Width Dial & Stitch Length Dial.....	14
Sewing Straight Stitch.....	15
Reverse Sewing/Removing the Work/Cutting the Thread.....	16
Choosing Stretch Stitch Patterns.....	17
Blind Hem.....	18
Buttonholes.....	19
Sewing on Buttons.....	20

General Information

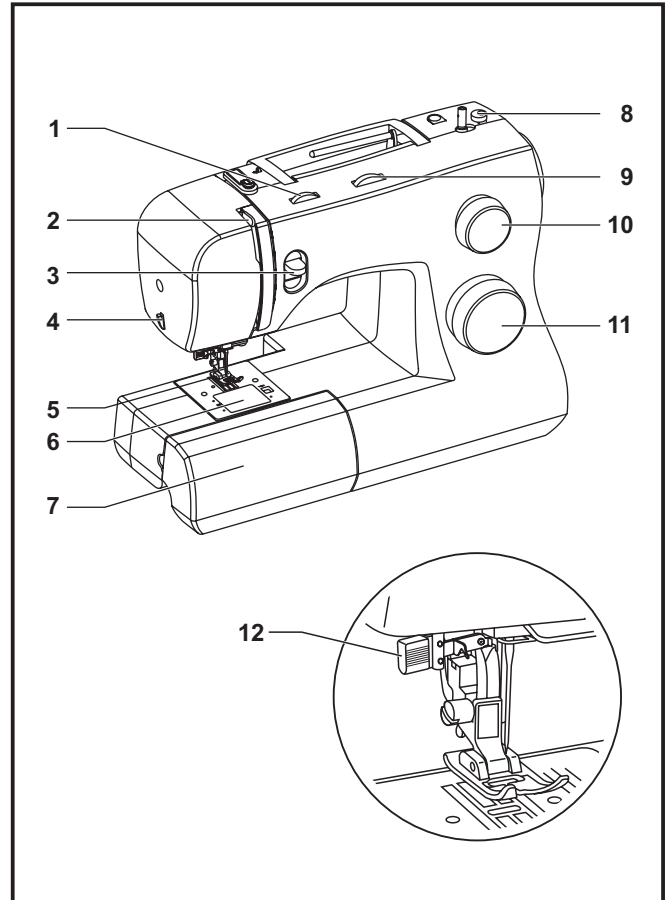
Installing the Removable Extension Table.....	21
Attaching the Presser Foot Shank.....	22
Needle/Fabric/Thread Chart.....	23
Darning Plate.....	24

Maintenance and Troubleshooting

Inserting & Changing Needle.....	25
Changing the Bulb.....	26
Troubleshooting Guide.....	27

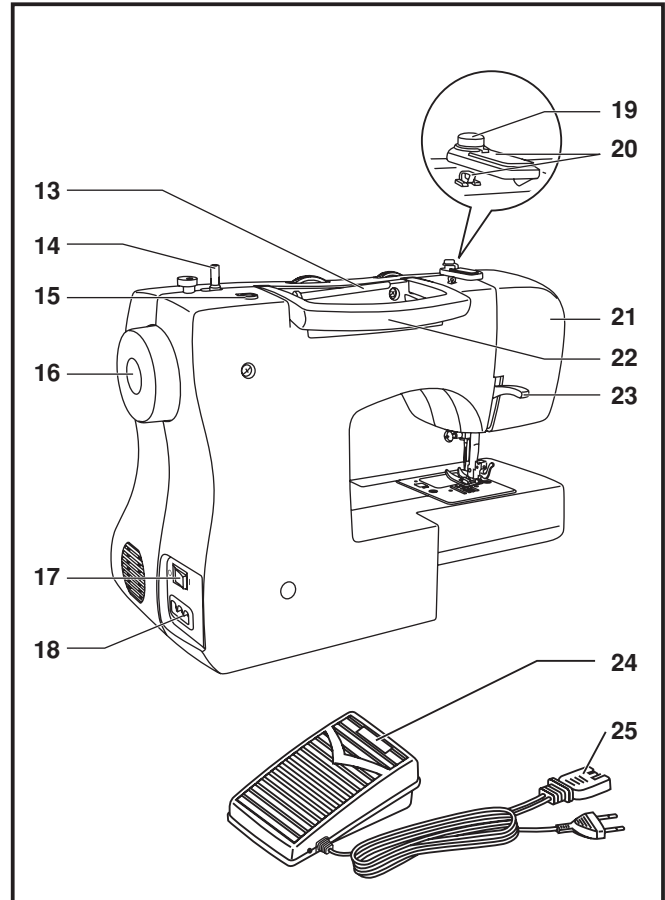
□ Principal Parts of the Machine

1. Thread tension dial
2. Thread take-up lever
3. Reverse sewing lever
4. Thread cutter
5. Presser foot
6. Needle plate cover
7. Removable extension table/ accessory storage
8. Bobbin stopper
9. Stitch width dial
10. Stitch length dial
11. Pattern selector dial
12. Automatic threader



□ Principal Parts of the Machine

13. Horizontal spool pin
14. Bobbin winding spindle
15. Hole for auxiliary spool pin
16. Handwheel
17. Power and light switch
18. Main plug socket
19. Bobbin thread guide
20. Upper thread guide
21. Face plate
22. Handle
23. Presser foot lifter
24. Foot speed control
25. Power cord



□ Connecting Machine to Power Source

Connect the machine to a power source as illustrated. (1)
This appliance is equipped with a polarized plug which must be used with the appropriate polarized outlet. (2)

Attention:

Unplug power cord when machine is not in use.

Foot control

The foot control pedal regulates the sewing speed. (3)

Attention:

Consult a qualified electrician if in doubt of how to connect machine to power source.

Unplug power cord when machine is not in use.

The foot control must be used with the appliance by KD-1902 (110-120V area)/ KD-2902 (220-240V area) manufactured by ZHEJIANG FOUNDER MOTOR CORPORATION LTD. (China)

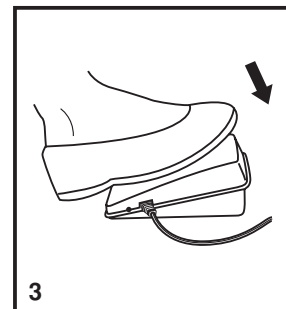
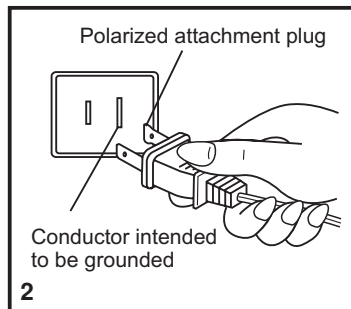
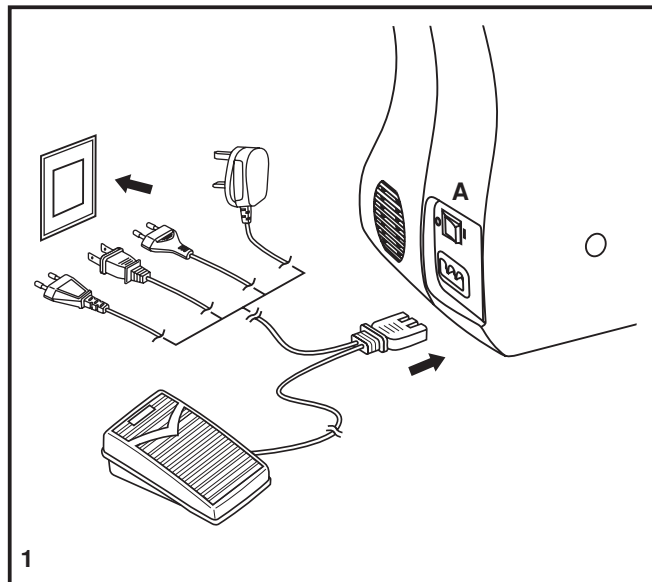
4C-326G(230V area) manufactured by Wakaho Electric Ind. Co., Ltd. (Vietnam)

Sewing light

Press main switch (A) to "I" for power and light.

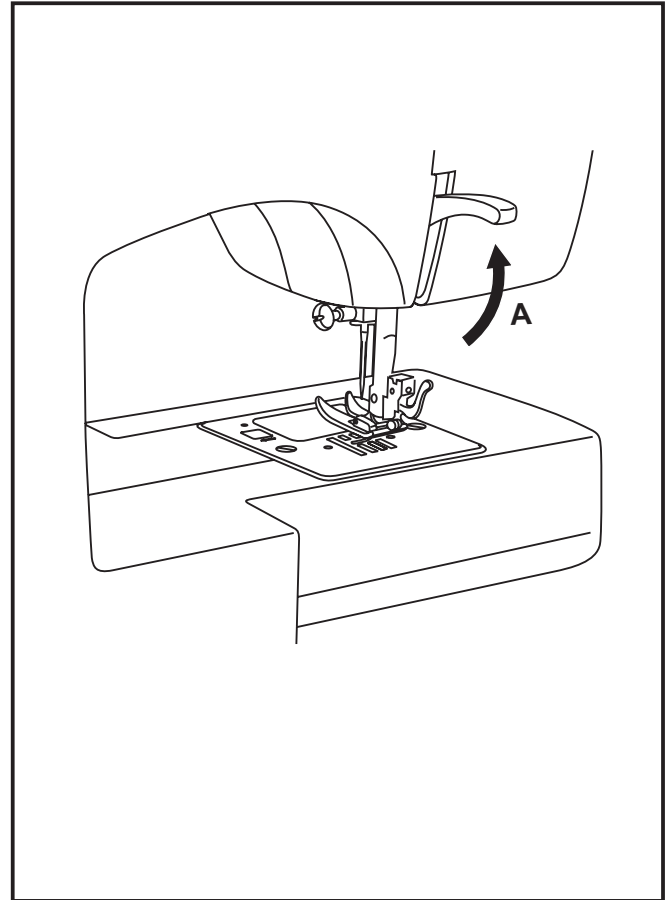
IMPORTANT NOTICE

For appliance with a polarized plug (one blade is wider than the other). To reduce the risk of electric shock, this plug is intended to fit in a polarized outlet only one way. If it does not fit fully in the outlet, reverse the plug. If it still does not fit, contact a qualified electrician to install the proper outlet. Do not modify the plug in any way.



Two Step Presser Foot Lifter

When sewing several layers or thick fabrics, the presser foot can be raised to a higher position for easy positioning of the work. (A)



□ Accessories

Standard accessories (1)

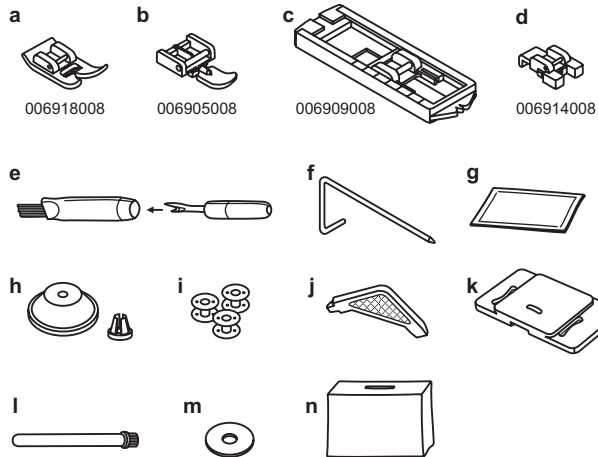
- a. All purpose foot
- b. Zipper foot
- c. Buttonhole foot
- d. Button sewing foot
- e. Seam ripper/ brush
- f. Edge/ quilting guide
- g. Pack of needles
- h. Spool holders
- i. Bobbin (3x)
- j. L-screwdriver
- k. Darning plate
- l. Auxiliary Spool Pin
- m. Spool pin felt
- n. Soft cover

Optional accessories (2)

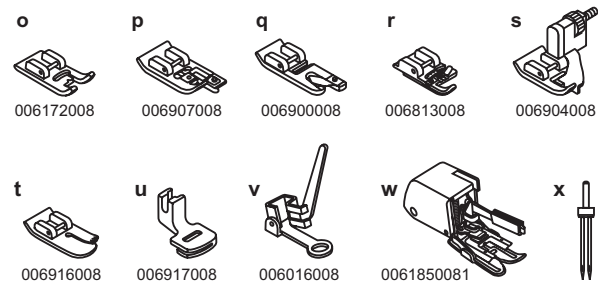
(These 10 accessories are not supplied with this machine; they are, however, available for purchase from your authorized retailer.)

- o. Satin stitch foot
- p. Overcasting foot
- q. Hemmer foot
- r. Cording foot
- s. Blind hem foot
- t. Quilting/ straight stitch foot
- u. Gathering foot
- v. Darning/ embroidery foot
- w. Even Feed foot
- x. Twin needle

1 Standard accessories



2 Optional accessories

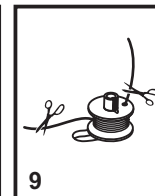
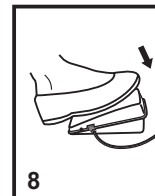
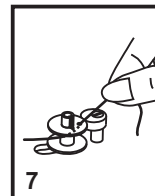
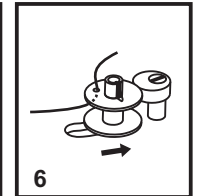
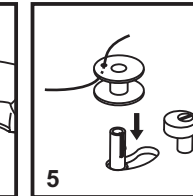
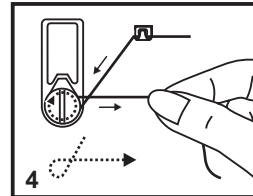
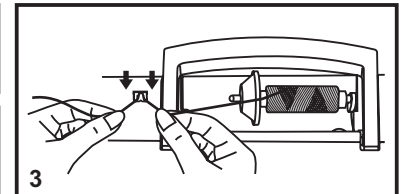
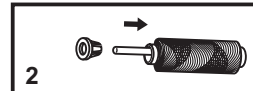
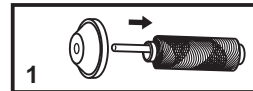
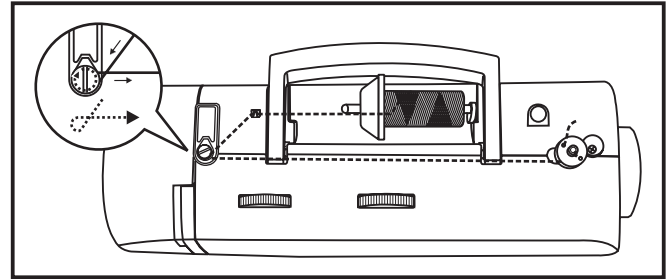


□ Winding the Bobbin

- Place thread and corresponding spool holder on to spool pin. (1/2)
- Snap thread into thread guide. (3)
- Wind thread clockwise around bobbin winder tension discs. (4)
- Thread bobbin as illustrated and place on spindle. (5)
- Push bobbin spindle to right. (6)
- Hold thread end. (7)
- Step on foot control pedal. (8)
- Cut thread. (9)
- Push bobbin spindle to left (10) and remove.

Please Note:

When the bobbin winder spindle is in "bobbin winding" position, the machine will not sew and the hand wheel will not turn. To start sewing, push the bobbin winder spindle to the left (sewing position).



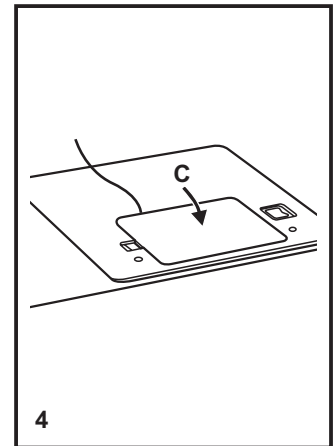
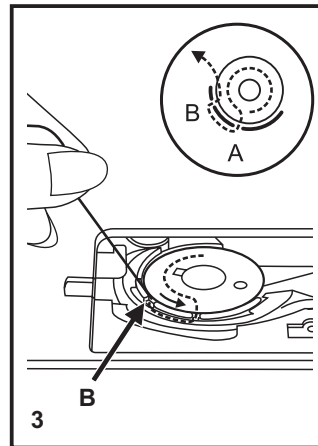
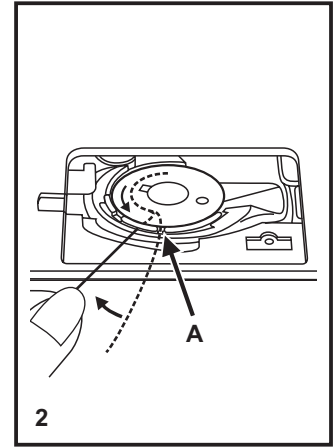
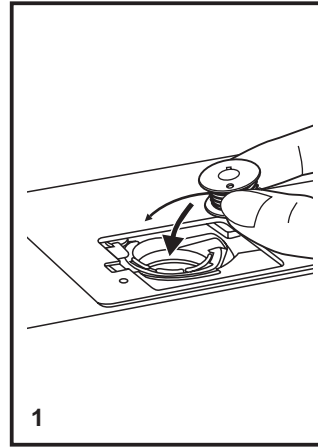
□ Inserting the Bobbin

When inserting or removing the bobbin, the needle must be fully raised.

1. Insert the bobbin in the bobbin case with the thread running counterclockwise direction (arrow).
2. Pull the thread through the slit (A).
3. Draw the thread clockwise until it slips into the notch (B).
4. Pull out about 15 cm (6 inches) of thread and attach the bobbin cover plate. (C)

Attention:

Turn power switch to off ("O") before inserting or removing the bobbin.



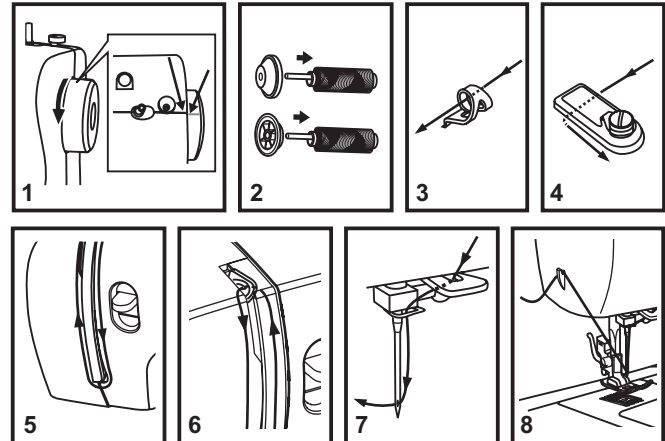
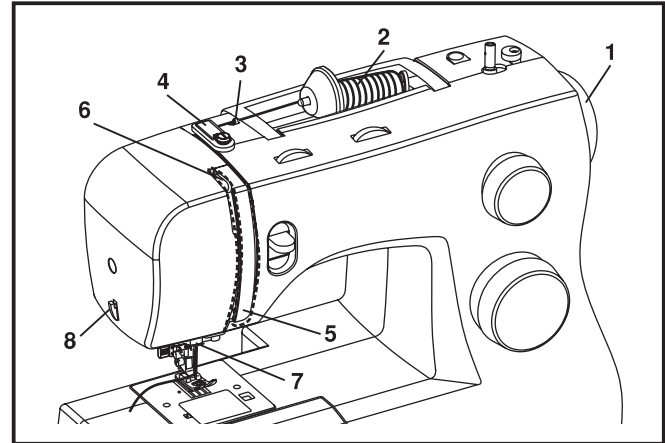
□ Threading the Upper Thread

This is a simple operation but it is important to carry out correctly as by not doing so several sewing problems could result.

- Start by raising the needle to its highest point (1), and continue turning the handwheel counterclockwise until the needle just slightly begins to descend. Raise the presser foot to release the tension discs.

Note: For safety, it is strongly suggested you turn off the power before threading.

- Lift up the spool pin. Place the spool of thread on the holder with the thread coming off the spool as shown. For small thread spools, place small side of spool holder next to spool. (2)
- Draw thread from spool through the upper thread guide (3) and pulling thread through pre-tension spring as illustrated. (4)
- Thread tension module by leading thread down right channel and up left channel. (5) During this process it is helpful to hold the thread between the spool and thread guide. (6)
- At the top of this movement pass thread from right to left through the slotted eye of the take-up lever and then downwards again. (6)
- Now pass the thread behind the horizontal thread guide, and then behind the thin wire needle clamp guide (7) and then down to the needle which should be threaded from front to back. (7)
- Pull about 6-8 inches of thread to the rear beyond the needle eye. Trim thread to length with built in thread cutter. (8)

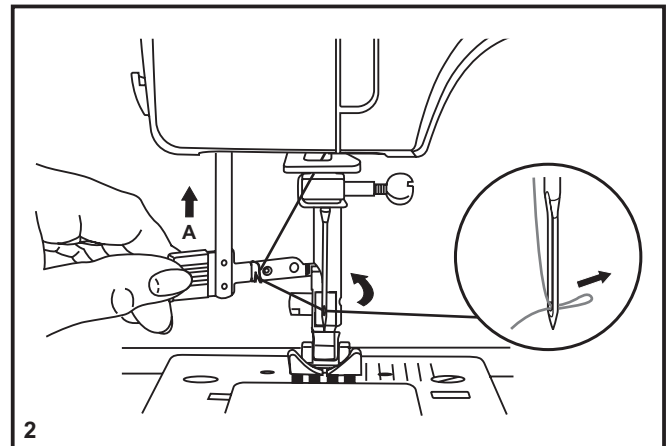
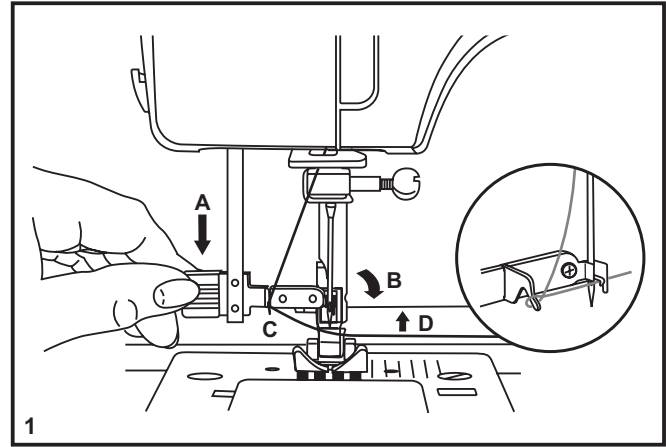


□ Automatic Needle Threader

- Raise the needle to its highest position.
- Press lever (A) down as far as it will go.
- The threader automatically swings to the threading position (B).
- Pass thread around thread guide (C).
- Pass the thread in front of the needle around the hook (D) from bottom to top.
- Release lever (A).
- Pull the thread through the needle eye.

Attention:

Turn power switch to off ("O")!



□ Raising the Bobbin Thread

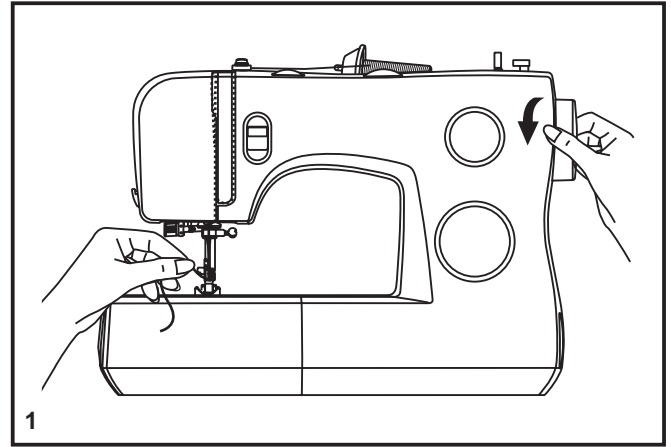
Hold the upper thread with the left hand. Turn the handwheel (1) towards you (counterclockwise) lowering, then raising needle.

Note:

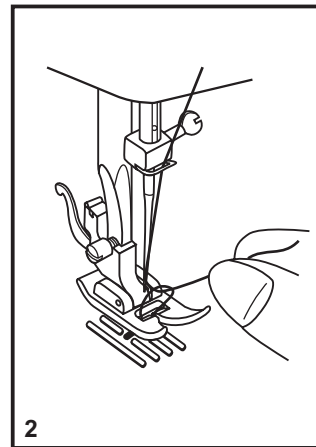
If it is difficult to raise the bobbin thread, check to make sure the thread is not trapped by the hinged cover or the Removable Extension Table.

Gently pull on the upper thread to bring the bobbin thread up through the needle plate hole. (2)

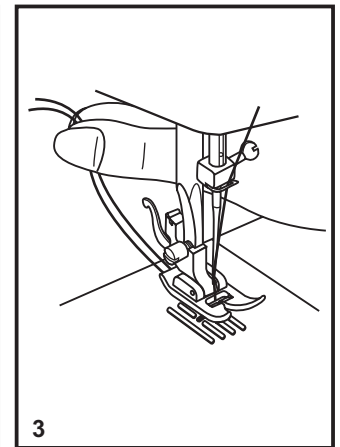
Lay both threads to the back under the presser foot. (3)



1



2



3

□ Thread Tension

Upper thread tension

Basic thread tension setting: "4". (1)

To increase the tension, turn the dial to the next number up.

To reduce the tension, turn the dial to the next number down.

A. Normal thread tension for straight stitch sewing.

B. Thread tension too loose for straight stitch sewing. Turn dial to higher number.

C. Thread tension too tight for straight stitch sewing. Turn dial to lower number.

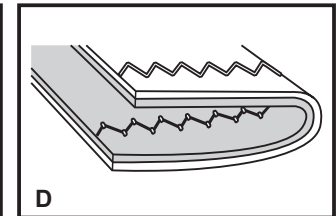
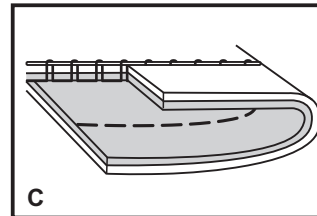
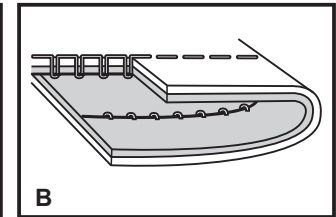
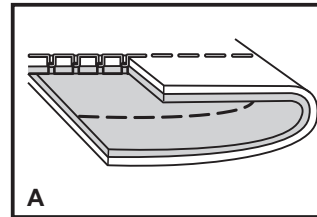
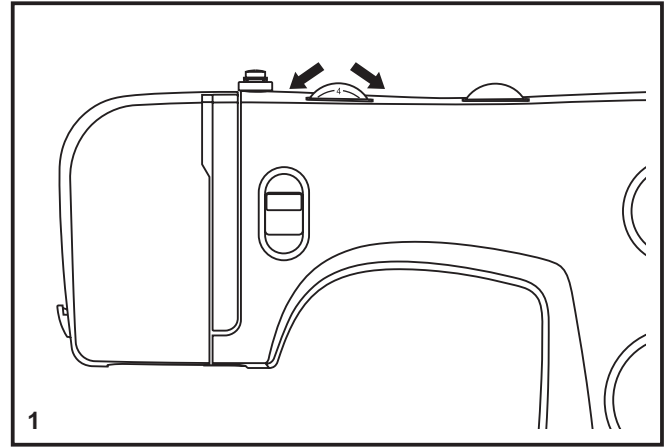
D. Normal thread tension for zig zag and decorative sewing.
Correct thread tension is when a small amount of the upper thread appears on the bottom side of fabric.

Lower thread tension

The bobbin tension has been set correctly at the factory, so you do not need to adjust it.

Please note:

- Proper setting of tension is important to good sewing.
- There is no single tension setting appropriate for all stitch functions, thread or fabric.
- A balanced tension (identical stitches both top and bottom) is usually only desirable for straight stitch construction sewing.
- 90% of all sewing will be between "3" and "5".
- For zig zag and decorative sewing stitch functions, thread tension should generally be less than for straight stitch sewing.
- For all decorative sewing you will always obtain a nicer stitch and less fabric puckering when the upper thread appears on the bottom side of your fabric.



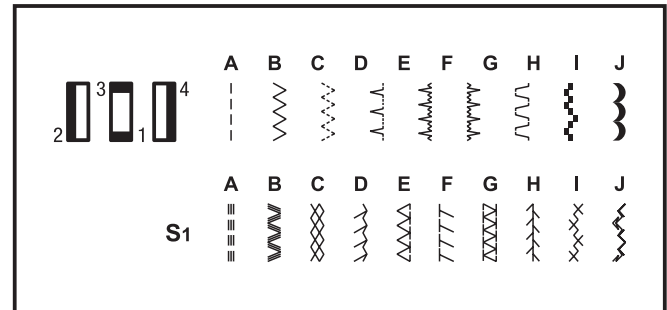
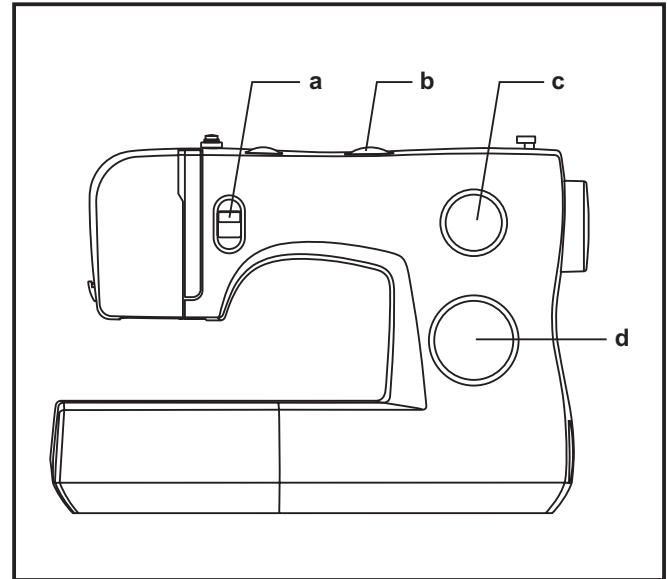
□ How to Choose Your Pattern

The diagram on this page display the stitch patterns available on the machine.

Stitches in the top of the diagram are indicated on the Pattern Selector Dial in gray. To select the patterns indicated with the gray color, turn the Pattern Selector Dial. (d) Use the Stitch Length Dial (c) to adjust the stitch length as desired for the project. Use the Stitch Width Dial (b) to adjust the width of the stitch as desired.

Stitches in the bottom row of the diagram are indicated on the Pattern Selector Dial in blue. The blue indicates that the stitch is a stretch stitch pattern, and information on how to sew these stretch patterns is on page 17.

The Pattern Selector Dial may be turned in either direction.



- a. Reverse Sewing Lever
- b. Stitch Width Dial
- c. Stitch Length Dial
- d. Pattern Selector Dial

□ **Stitch Width Dial & Stitch Length Dial**

Function of stitch width dial

The maximum zigzag stitch width for zigzag stitching is 6mm; however, the width can be reduced on any patterns. The width increases as you move zigzag dial from "0" - "6". (1)

The Stitch Width Dial is also the control for the straight stitch infinite needle position. "0" is center needle position, "6" is full left.

Function of stitch length dial while zig-zag stitching

Set the Pattern Selector Dial to zig-zag.

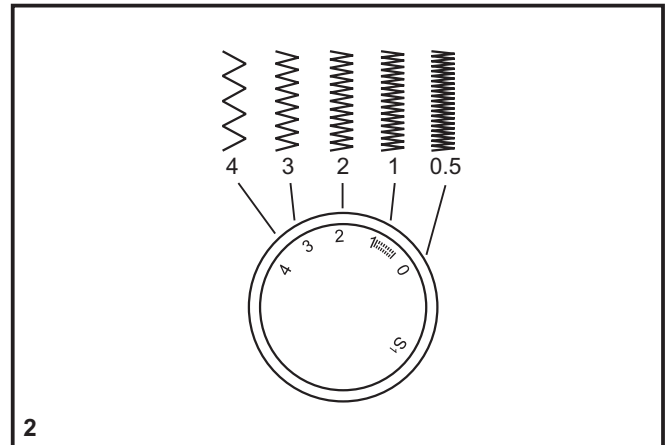
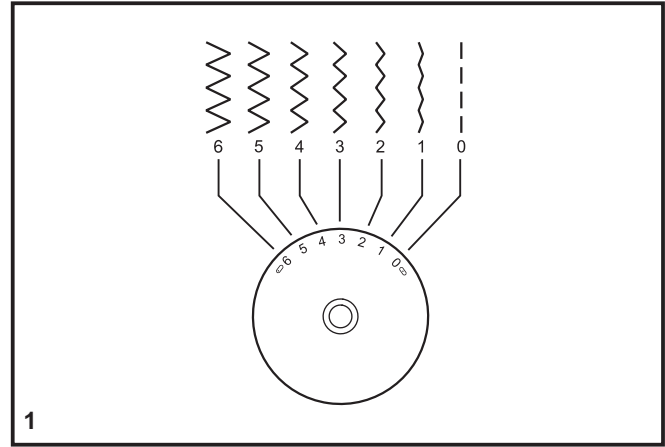
The density of zig-zag stitches increase as the setting of stitch length dial approaches "0".

Neat zig-zag stitches are usually achieved at "3" or below. (2)

Dense zig-zag stitches are called satin stitches. (2)

Function of stitch length dial for when straight stitching

For straight stitch sewing, turn the Pattern Selector Dial to the straight stitch setting. Turn the Stitch Length Dial, and the length of the individual stitches will decrease as the dial approached "0". The length of the individual stitches will increase as the dial approaches "4". Generally speaking, use a longer stitch length when sewing heavier weight fabrics or when using a thicker needle or thread. Use a shorter stitch length when sewing lighter weight fabrics or when using a finer needle or thread.

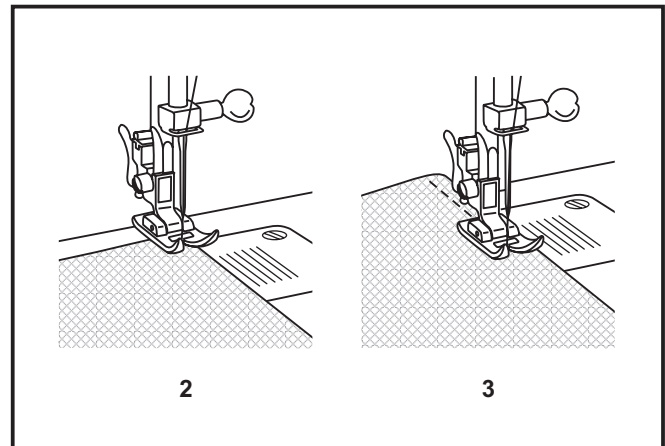
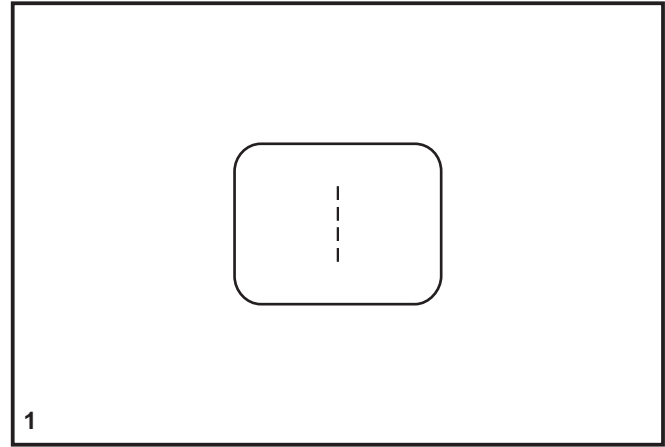


□ Sewing Straight Stitch

To begin sewing, set the machine for straight stitch. (1)

Place the fabric under the presser foot with the fabric edge lined up with the desired seam guide line on the needle plate. (2)

Lower the presser foot lifter, and then step on the foot controller to start sewing. (3)



Reverse Sewing

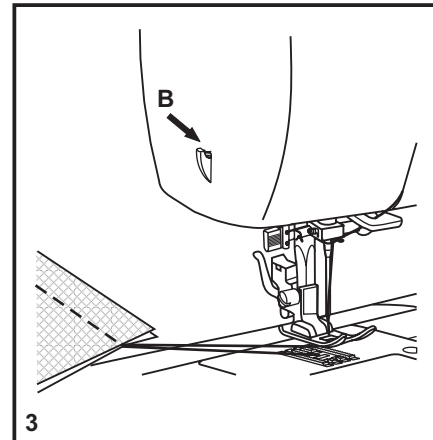
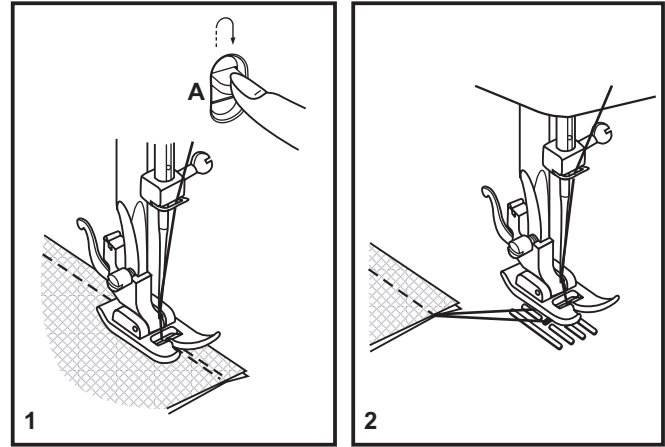
To secure the beginning and the end of a seam, press down the reverse sewing lever (A). Sew a few reverse stitches. Release the lever and the machine will sew forward again. (1)

Removing the Work

Turn the handwheel toward you (counterclockwise) to bring the thread take up lever to its highest position, raise the presser foot and remove work behind the needle and presser foot. (2)

Cutting the Thread

Pull the threads under and behind the presser foot. Guide the threads to the side of the face plate and into thread cutter (B). Pull threads down to cut. (3)



□ Choosing Stretch Stitch Patterns

The Stretch Stitch Patterns are indicated with a blue color on the Pattern Selector Dial. To select these stitches, turn the Pattern Selector Dial to the desired pattern. Then, turn the Stitch Length Dial to the indicator marked "S1". Though there are several stretch patterns, here are two examples:

Straight Stretch Stitch (1)

Set the Pattern Selector Dial to " ".

Used to add triple reinforcement to stretch and hardwearing seams.

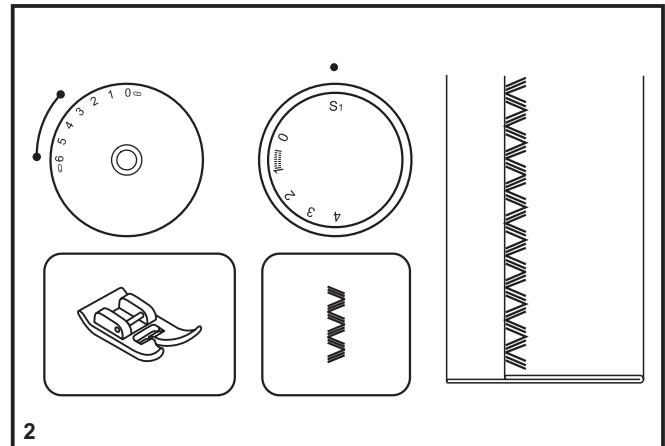
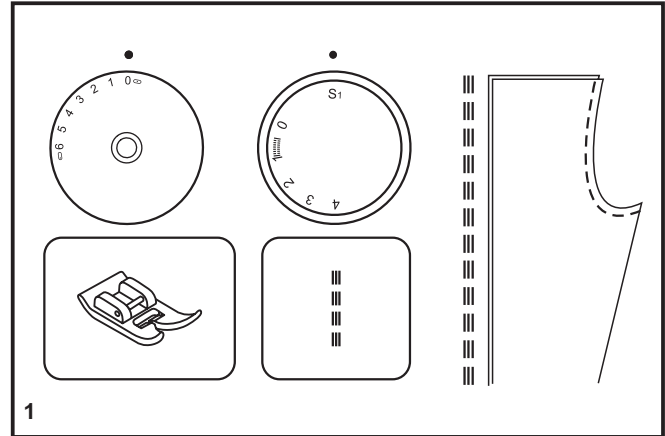
The machine sews two stitches forward and one stitch backwards.

Ric Rac (2)

Set the Pattern Selector Dial to " ".

Adjust the Stitch Width Dial to between "3" and "6".

Ric Rac Stitch is suitable for firm fabrics like denim, corduroy, poplin, duck, etc.



□ Blind Hem

For hems on curtains, trousers, skirts, etc.

..... Blind hem for stretch fabrics.

..... Blind hem for firm fabrics.

Set the Stitch Length Dial with the range shown on the diagram at the right. Blind hems, however, are normally sewn with a longer stitch length setting. Set the Stitch Width Dial at a setting appropriate for the weight/type of fabric being sewn, within the range shown in the diagram on the right of the page. Generally, a narrower stitch is used for lighter weight fabrics, and a wider stitch is used for heavier weight fabrics. Sew a test first to make sure the machine settings are appropriate for the fabric.

Blind Hem:

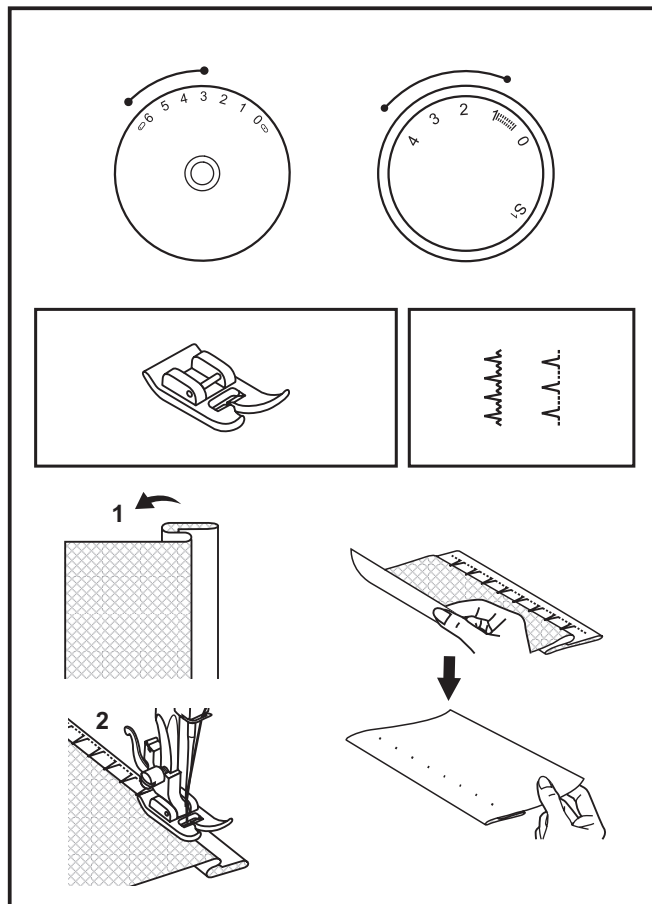
Turn up the hem to the desired width and press. Fold back (as shown in Fig. 1) against the right side of the fabric with the top edge of the hem extending about 7 mm (1/4") to the right side of the folded fabric.

Start to sew slowly on the fold, making sure the needle touches slightly the folded top to catch one or two fabric threads. (2)

Unfold the fabric when hemming is completed and press.

Note:


To make blind hem sewing even easier, use a blind hem foot, available from your SINGER® retailer. (See page 6 for part number)



□ Buttonholes

Prepare

1. Take off the all purpose foot and attach the buttonhole foot.
2. Measure diameter and thickness of button and add 0.3 cm (1/8") for bar tacks to obtain correct buttonhole length; mark buttonhole length on fabric (a).
3. Place fabric under the foot, so that marking on the buttonhole foot aligns with starting marking on fabric. Lower the foot, so that the buttonhole center line marked on the fabric aligns with the center of the buttonhole foot (b).

Adjust the Stitch Length Dial in the "  " to set stitch density. Set the stitch width at "6". The width however may need to be adjusted according to the project, sew a test first to determine this.

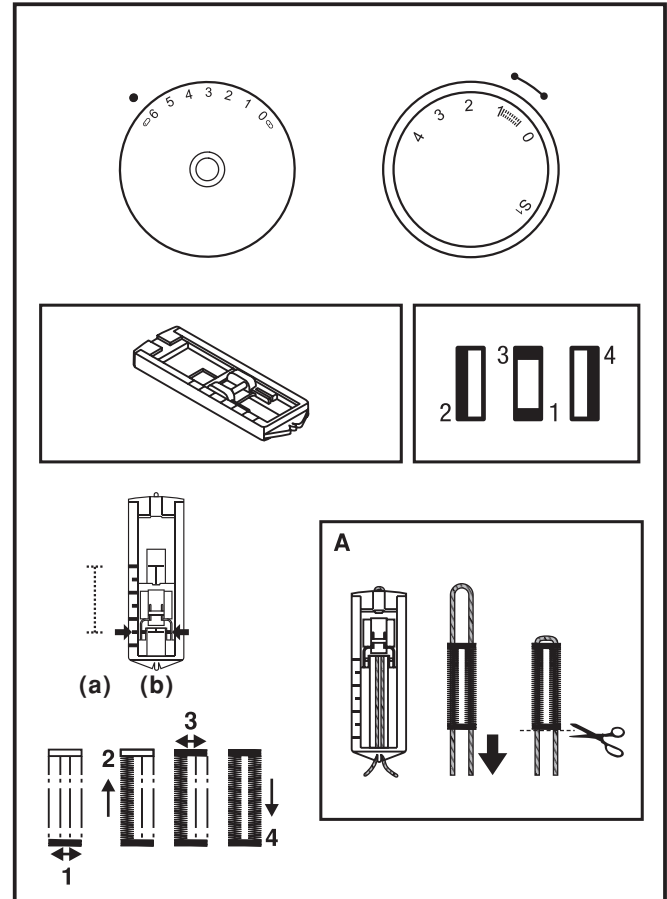
Note:

Density varies according to the fabric.
Always test sew a buttonhole on the fabric you are using to sew the buttonhole.

Follow the 4-step sequence changing from one step to another with the Pattern Selector Dial. When moving from step to step through the buttonhole process, be sure that the needle is raised before turning the Pattern Selector Dial to the next step. Take care not to sew too many stitches in steps 1 and 3. Use seam ripper and cut buttonhole open from both ends towards the middle.

Tips:

- Slightly reducing upper thread tension will produce better results.
- Use a stabilizer for fine or stretchy fabrics.
- It is advisable to use heavy thread or cord for stretch or knit fabrics. The zig-zag should sew over the heavy thread or cord. (A)



□ Sewing on Buttons

Install the darning plate. (1)

Change the all purpose foot to the button sewing foot. (2)

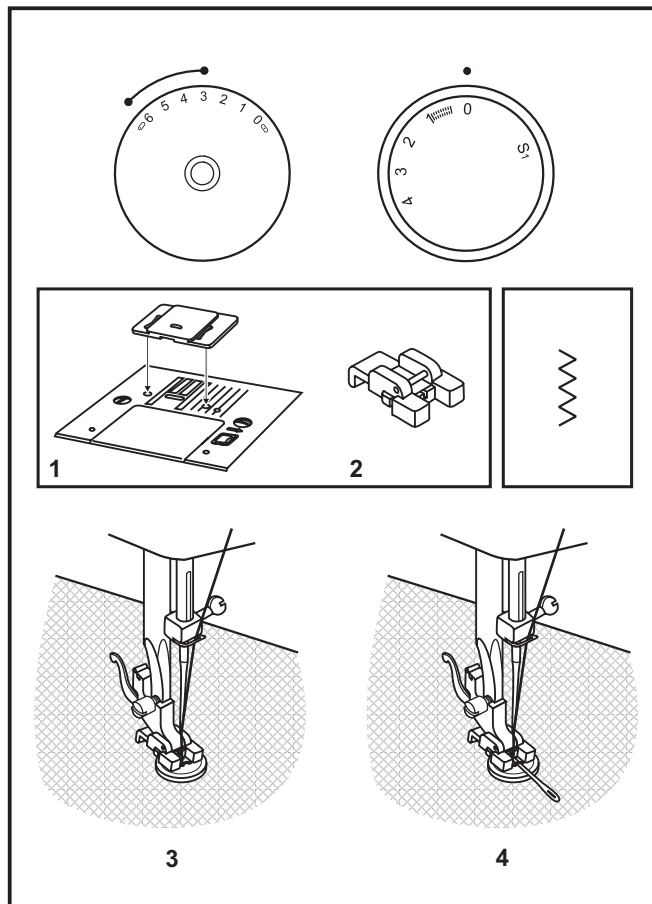
Set the stitch length to "0".

Place the button and fabric under the Button Sewing foot, as illustrated in (3).

Set the machine for zig-zag stitch, then set the width to number "3" - "6". Turn the handwheel to check that the needle goes cleanly into the left and right holes of the button. Adjust the stitch width, as needed, according to the distance between the holes of the button. Slowly sew on the button with about 10 stitches.

Raise the needle out of the fabric. Set the machine for straight stitch again, then sew a few securing stitches to finish.

If a shank is required, place a darning needle on top of the button and sew. For buttons with 4 holes, sew through the front two holes first, push the work forward and then sew through the back two holes.



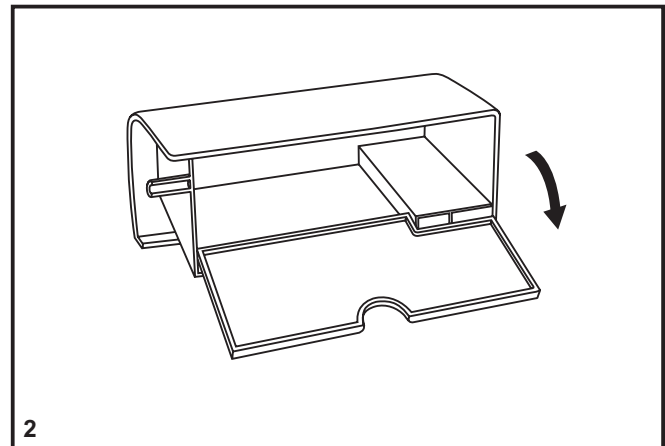
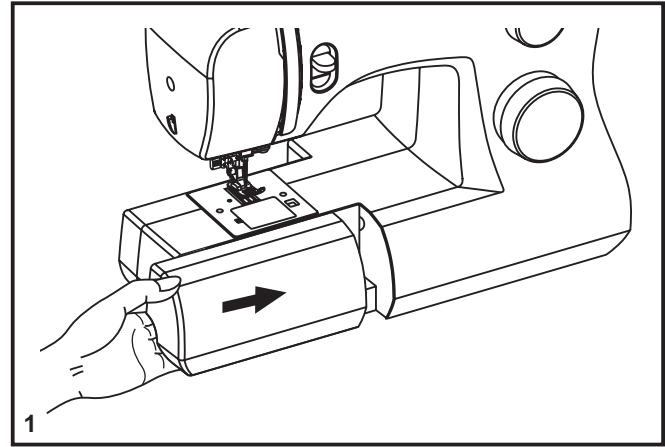
□ Installing the Removable Extension Table

Hold the removable extension table horizontally, and push it in the direction of the arrow. (1)

To remove the extension table, pull it toward the left.

The inside of the removable extension table can be utilized as an accessory box.

To open, flip cover down as shown. (2)



□ Attaching the Presser Foot Shank

Raise the presser foot bar (a) with the presser foot lifter. Attach the presser foot shank (b) as illustrated. (1)

Attaching the presser foot

Lower the presser foot shank (b) using the presser foot lifter, until the cut-out (c) is directly above the pin (d). (2) The presser foot (f) will engage automatically.

Removing the presser foot

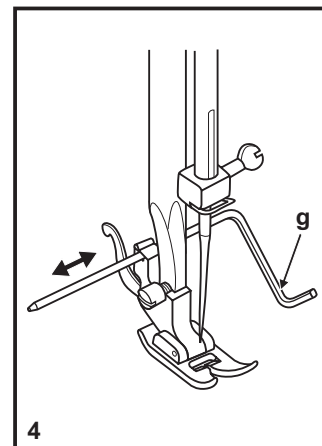
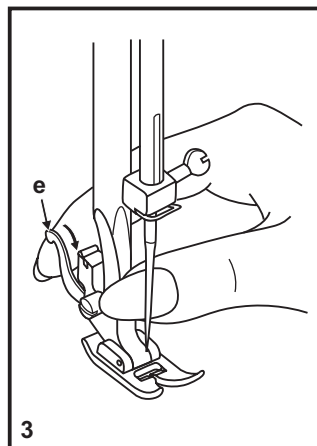
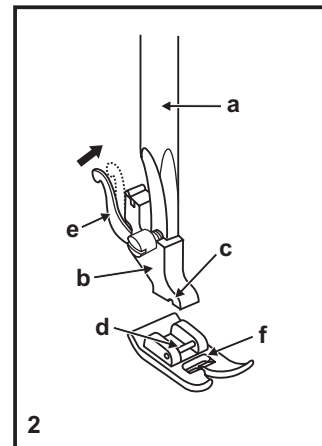
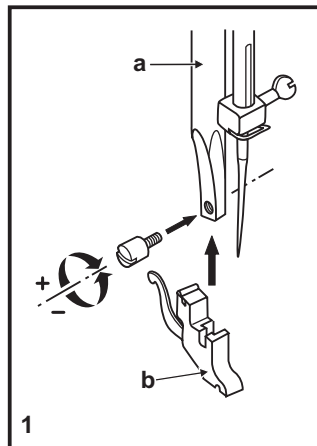
Raise the presser foot using the presser foot lifter. (3)
Raise the lever (e) and the foot disengages.

Attaching the edge/ quilting guide

Attach the edge/ quilting guide (g) in the slot as illustrated. Adjust as needed for hems, pleats, quilting, etc. (4)

Attention:

Turn power switch to off ("O") when carrying out any of the above operations!



☐ Needle/ Fabric/ Thread Chart

NEEDLE, FABRIC, THREAD SELECTION GUIDE

NEEDLE SIZE	FABRICS	THREAD
9-11 (70-80)	Lightweight fabrics-thin cottons, voile, silk, muslin, interlocks, cotton knits, tricots, jerseys, crepes, woven polyester, shirt & blouse fabrics.	Light-duty thread in cotton, nylon, polyester or cotton wrapped polyester.
11-14 (80-90)	Medium weight fabrics-cotton, satin, kettlecloth, sailcloth, double knits, lightweight woolens.	Most threads sold are medium size and suitable for these fabrics and needle sizes. Use polyester threads on synthetic materials and cotton on natural woven fabrics for best results. Always use the same thread on top and bottom.
14 (90)	Medium weight fabrics-cotton duck, woolen, heavier knits, terrycloth, denims.	
16 (100)	Heavyweight fabrics-canvas, woolens, outdoor tent and quilted fabrics, denims, upholstery material (light to medium).	
18 (110)	Heavy woolen, overcoat fabrics, upholstery fabrics, some leathers and vinyls.	Heavy duty thread, carpet thread.

IMPORTANT: Match needle size to thread size and weight of fabric.

NEEDLE, FABRIC SELECTION

NEEDLES	EXPLANATION	TYPE OF FABRIC
SINGER® 2020	Standard sharp needles. Sizes range thin to large. 9 (70) to 18 (110).	Natural woven fabrics-wool, cotton, silk, etc. Not recommended for double knits.
SINGER® 2045	Semi-ball point needle, scarfed. 9 (70) to 18 (110).	Natural and synthetic woven fabrics, polyester blends. Knits-polyesters, interlocks, tricot, single and double knits. Also sweater knits, Lycra®, swimsuit fabric, elastic.
SINGER® 2032	Leather needles. 12 (80) to 18 (110).	Leather, vinyl, upholstery. (Leaves smaller hole than standard large needle.)

Note :

1. For best sewing results always use genuine SINGER® needles.
2. Replace needle often (approximately every other garment) and/ or at first thread breakage or skipped stitches.

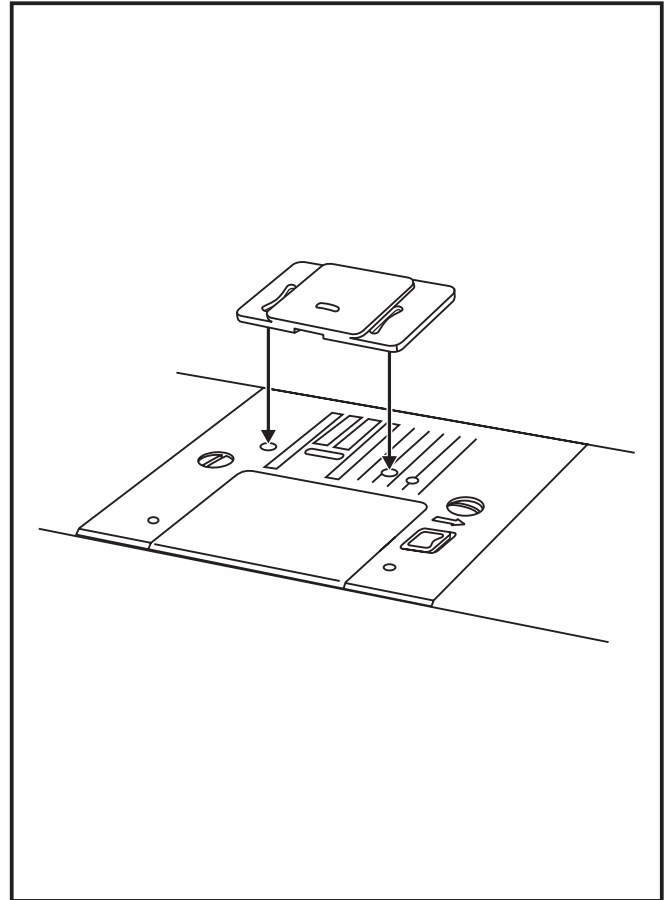
Darning Plate

For certain types of work, (e.g. darning or free-hand embroidery), the darning plate must be used.

Install the darning plate as illustrated.

For normal sewing, remove the darning plate.

For free-motion sewing it is recommended to use a darning/embroidery foot, available as an optional accessory from SINGER® retailers. (See page 6 for part number of darning/embroidery foot)



□ Inserting & Changing Needles

Change the needle regularly, especially if it is showing signs of wear and causing problems. For best sewing results always use SINGER® Brand Needles.

Insert the needle as illustrated as follows:

- A. Loosen the needle clamp screw and tighten again after inserting the new needle. (1)
- B. The flat side of the shaft should be towards the back.
- C/D. Insert the needle as far as it will go.

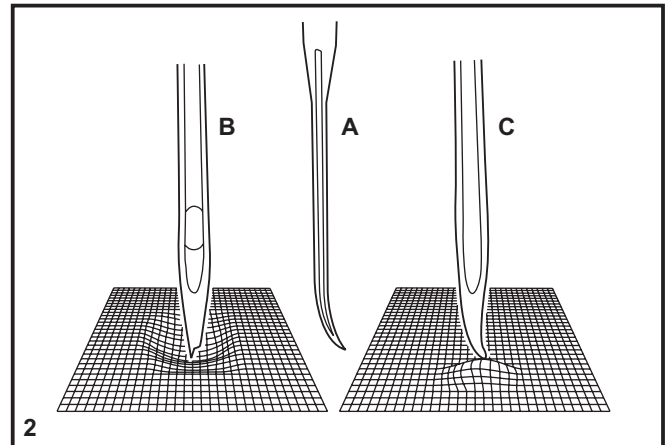
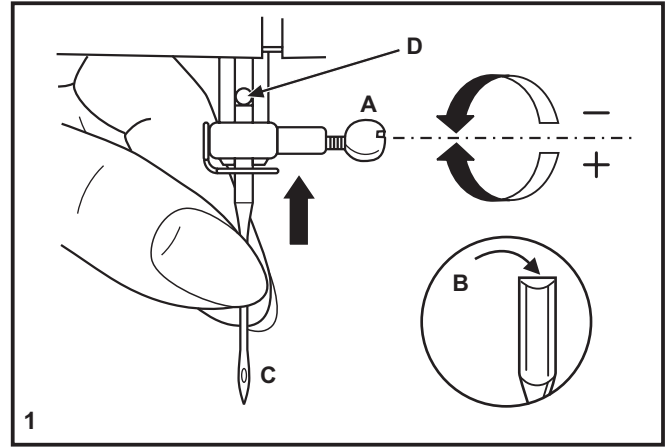
Attention:

Turn power switch to off ("O") before inserting or removing the needle.

Needles must be in perfect condition. (2)

Problems can occur with:

- A. Bent needles
- B. Damaged points
- C. Blunt needles



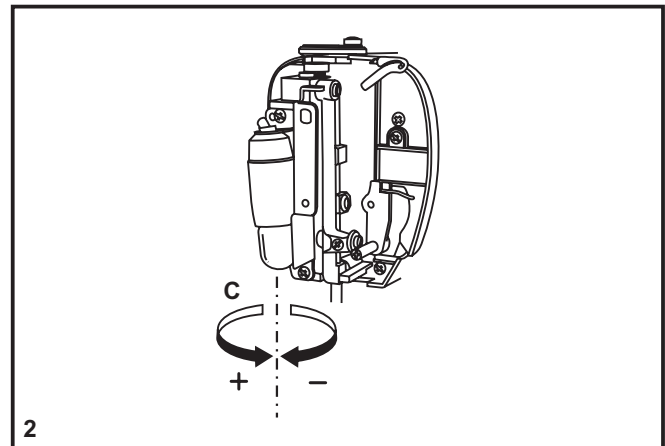
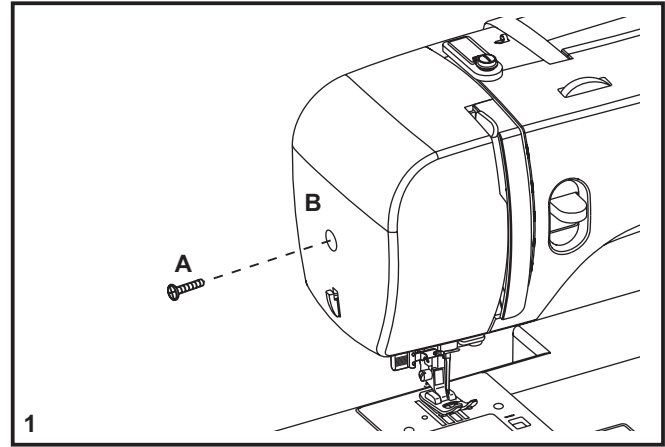
□ Changing the Bulb

Disconnect the machine from the power supply by removing the plug from the main socket!

Replace bulb with same type rated 10 watts (110-120V area) or 15 watts (220-240V area).

- Loosen screw (A) as illustrated. (1)
- Remove the face plate (B).
- Unscrew the bulb and install a new one (C). (2)
- Replace the face plate and tighten screw.

Should there be any problem, consult your authorized SINGER® retailer.



□ Troubleshooting Guide

Problem	Cause	Correction
Upper thread breaks	<ol style="list-style-type: none">1. The machine is not threaded correctly.2. The thread tension is too tight.3. The thread is too thick for the needle.4. The needle is not inserted correctly.5. The thread is wound around the spool holder pin.6. The needle is damaged.	<ol style="list-style-type: none">1. Rethread the machine.2. Reduce the thread tension. (lower number)3. Select a larger needle.4. Remove and reinsert the needle. (flat side towards the back)5. Remove the reel and wind thread onto reel.6. Replace the needle.
Lower thread breaks	<ol style="list-style-type: none">1. The bobbin case is not inserted correctly.2. The bobbin case is threaded wrong.3. The lower thread tension is too tight.	<ol style="list-style-type: none">1. Remove and reinsert the bobbin case and pull on the thread. The thread should pull easily.2. Check both bobbin and bobbin case.3. Loosen lower thread tension as described.
Skipped stitches	<ol style="list-style-type: none">1. The needle is not inserted correctly.2. The needle is damaged.3. The wrong size needle has been used.4. The foot is not attached correctly.	<ol style="list-style-type: none">1. Remove and reinsert needle. (flat side towards the back)2. Insert a new needle.3. Choose a needle to suit the thread and fabric.4. Check and attach correctly.
Needle breaks	<ol style="list-style-type: none">1. The needle is damaged.2. The needle is not correctly inserted.3. Wrong needle size for the fabric.4. The wrong foot is attached.	<ol style="list-style-type: none">1. Insert a new needle.2. Insert the needle correctly. (flat side towards the back)3. Choose a needle to suit the thread and fabric.4. Select the correct foot.
Loose stitches	<ol style="list-style-type: none">1. The machine is not correctly threaded.2. The bobbin case is not correctly threaded.3. Needle/ fabric/ thread combination is wrong.4. Thread tension wrong.	<ol style="list-style-type: none">1. Check the threading.2. Thread the bobbin case as illustrated.3. The needle size must suit the fabric and thread.4. Correct the thread tension.
Seams gather or pucker	<ol style="list-style-type: none">1. The needle is too thick for the fabric.2. The stitch length is wrong adjusted.3. The thread tension is too tight.	<ol style="list-style-type: none">1. Select a finer needle.2. Readjust the stitch length.3. Loosen the thread tension.
Uneven stitches, uneven feed	<ol style="list-style-type: none">1. Poor quality thread.2. The bobbin case is wrong threaded.3. Fabric has been pulled.	<ol style="list-style-type: none">1. Select a better quality thread.2. Remove bobbin case, thread and insert correctly.3. Do not pull on the fabric while sewing, let it be taken up by the machine.
The machine is noisy	<ol style="list-style-type: none">1. Lint or oil have collected on the hook or needle bar.2. The needle is damaged.	<ol style="list-style-type: none">1. Clean the hook and feed dog as described.2. Replace the needle.
The machine jams	Thread is caught in the hook.	Remove the upper thread and bobbin case, turn the handwheel backwards and forwards by hand and remove the thread.



Please note that on disposal, this product must be safely recycled in accordance with relevant National legislation relating to electrical/electronic products. If in doubt please contact your retailer for guidance.





При подключении этого продукта необходимо внимательно ознакомиться с правилами по технике безопасности, в соответствии с действующим законодательством в вашей стране. Пожалуйста, прочтите, что по окончании срока службы этот продукт должен быть утилизирован в соответствии с действующим Национальным законодательством, установленным для электрических приборов.



□ Неполадки и их устранение

Проблема	Причина	Устранение
Обрыв верхней нити	<ol style="list-style-type: none"> 1. Нить неправильно заправлена 2. Очень сильное натяжение верхней нити 3. Нить слишком толстая для иглы 4. Игла установлена неверно 5. Нить обмоталась вокруг держателя катушки 6. Повреждена игла 	<ol style="list-style-type: none"> 1. Заново заправьте нить 3. Установите иглу большего размера 4. Правильно установите иглу (плоской стороной назад) 5. Размотайте нить 6. Замените иглу на новую
Обрыв нижней нити	<ol style="list-style-type: none"> 1. Шпулька установлена неправильно 2. Неправильно заправлена нижняя нить 3. Слишком сильное натяжение нижней нити 	<ol style="list-style-type: none"> 1. Достаньте и снова установите шпульку, заправьте нить 2. Заправьте нижнюю нить 3. Ослабьте натяжение нижней нити
Нечеткий шов	<ol style="list-style-type: none"> 1. Неправильно установлена игла 2. Игла повреждена 3. Несоответствующий размер иглы 4. Установлена неподходящая лапка 	<ol style="list-style-type: none"> 1. Правильно установите иглу плоской стороной назад 2. Установите новую иглу 3. Установите иглу, соответствующую типу ткани и нити 4. Установите подходящую лапку
Потомка иглы	<ol style="list-style-type: none"> 1. Тянет ткань во время шитья 2. Неправильно установлена игла 3. Несоответствующий размер иглы 4. Установлена неподходящая лапка 	<ol style="list-style-type: none"> 1. Тянуть ткань или подталкивать ткань во время шитья 2. Правильно установите иглу плоской стороной назад 3. Установите иглу, соответствующую типу ткани и нити 4. Установите подходящую лапку
Пролук стежков	<ol style="list-style-type: none"> 1. Верхняя нить неправильно заправлена 2. Нижняя нить неправильно заправлена 3. Несоответствующий размер иглы 4. Неправильное натяжение нити 	<ol style="list-style-type: none"> 1. Правильно заправьте верхнюю нить 2. Правильно заправьте нижнюю нить 3. Установите иглу, соответствующую типу ткани и нити 4. Установите правильное натяжение
Швы стягиваются или сморщиваются	<ol style="list-style-type: none"> 1. Игла слишком толстая для выбранной ткани 2. Легка выбрана неверно 3. Очень сильное натяжение нити 	<ol style="list-style-type: none"> 1. Установите тонкую иглу 2. Замените длинную стежка 3. Ослабьте натяжение нити
Неровные стежки, неравномерное продвижение	<ol style="list-style-type: none"> 1. Плохое качество ниток 2. Неправильно заправлена нижняя нить 3. Тянет ткань во время шитья 	<ol style="list-style-type: none"> 1. Используйте нити хорошего качества 2. Выньте и заново установите шпульку, заправив нижнюю нить 3. Тянуть или подталкивать ткань во время шитья, машина продвигает ткань самостоятельно
Машина шумно работает	<ol style="list-style-type: none"> 1. В челночном механизме скопилось много ворса и пыли 2. Повреждена игла 	<ol style="list-style-type: none"> 1. Проверьте челночный механизм и зубцы транспортера как описано. 2. Замените иглу
Тяжелый ход машины	Запутывание нити в челноке	<p>Удалите верхнюю нить и достаньте шпульку. Поверните вручную маховое колесо на себя и от себя, достаньте остатки ниток и ворса.</p>

Замена лампочки

Отключите машину от сети электропитания, вынув сетевой шнур из розетки!

Используйте лампочки такого же типа 10W (110-120V) или 15W (220-240V).

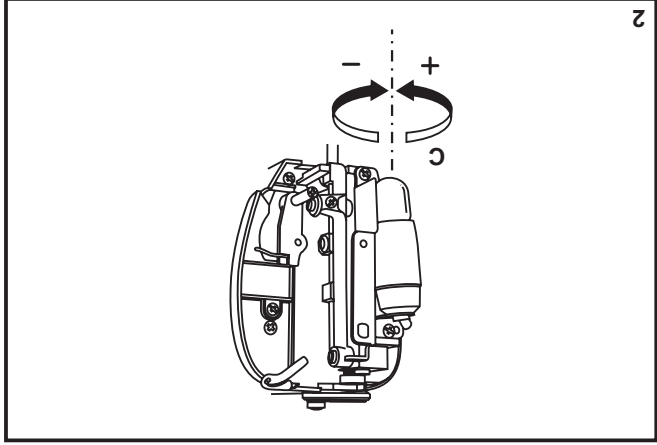
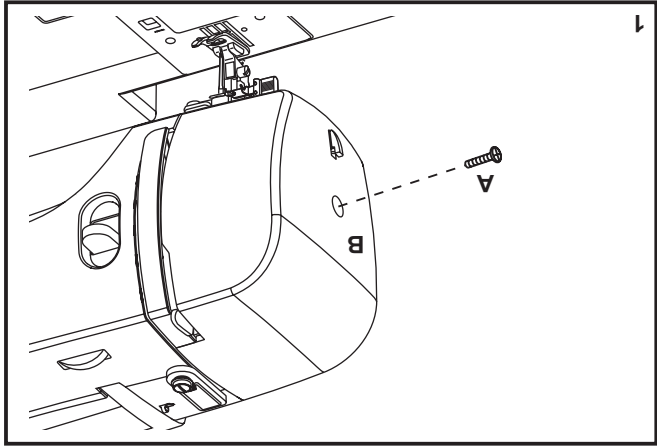
- Выкрутите винт (А) как показано на рисунке (1);

- Снимите крышку корпуса (В);

- Выкрутите лампочку и вставьте новую (С);

- Поставьте крышку корпуса на место и вкрутите винт.

В случае возникновения проблем, обращайтесь в местный сервисный центр.



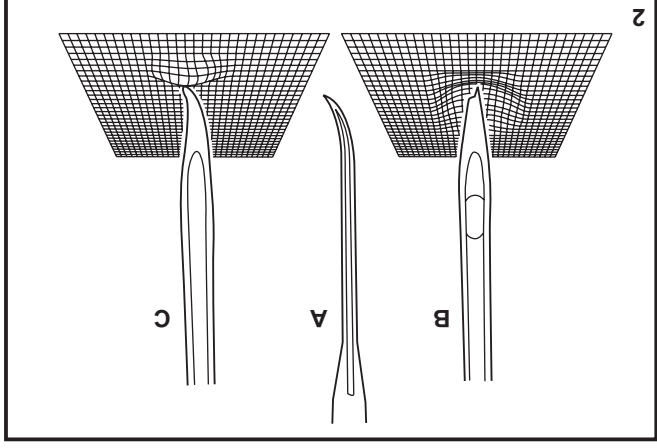
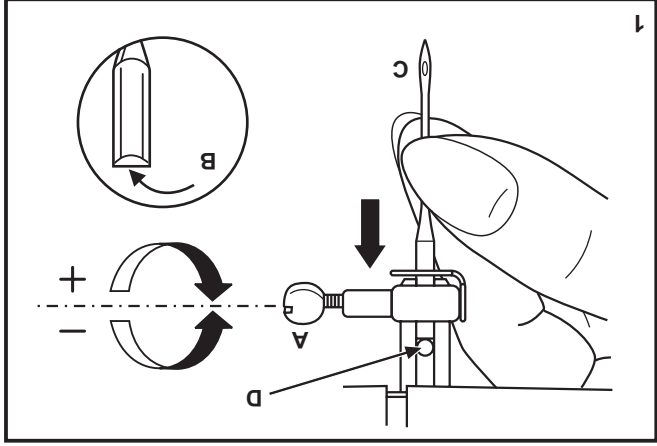
Установка и смена иглы

Меняйте иглы регулярно после шитья каждого проекта или при возникновении каких-либо проблем. Используйте иглы SINGER® для лучшего качества шитья. Вставьте иглу, как показано на рисунке.

A. Ослабьте винт иглы и затем затяните его снова, после того, как вставите новую иглу (1).
B. Плоская сторона иглы должна быть направлена от вас.
C/D. Вставьте иглу вверх до упора.

Внимание:
Всегда выключайте машину "O" перед заменой иглы.

Иглы должны быть в исправном состоянии (2).
Неисправности иглы:
A. Игла изогнута
B. Повреждено острие
C. Игла затупилась



□ Штопальная пластина

Для некоторых видов работ (например, штопка или шитье в технике "свободного передвижения") штопальная пластина должна быть установлена.

Установите штопальную пластину как указано на рисунке. Для шитья в обычном режиме, снимите штопальную пластину.

Для шитья в технике "свободного передвижения" рекомендуется использовать прижимную лапку для штопки/вышивания, которая приобретается отдельно у дилера машин SINGER®. (смотрите артикул на стр. 6)

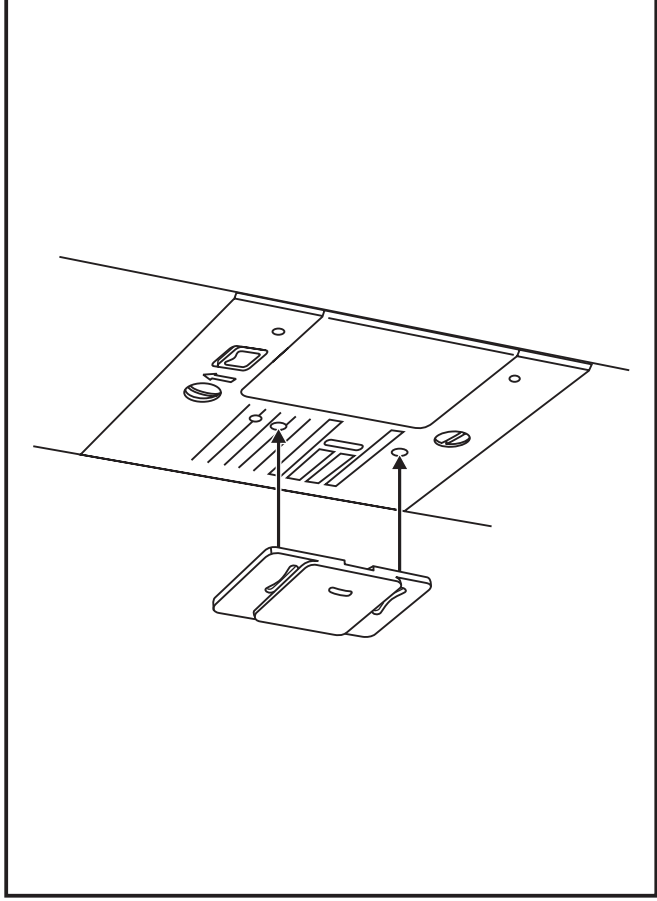


Таблица соответствия типов Иглы/Ткани/Нитей

Руководство по выбору ткани, нитей, игл

Размер иглы	Ткани	Нити
9-11 (70-80)	Легкие ткани-хлопок, вуаль, саржа, шелк, муслин, органза, легкий трикотаж, джерси, креп, полиэстр, бязочные ткани.	Тонкая нить - хлопковая, нейлоновая, полиэстровая или армипованная хлопок, полиэстр.
11-14 (80-90)	Ткани средней плотности - хлопок, сатин, парусина, двойной трикотаж, махровая ткань, джинса.	Большинство продаваемых типов нитей применимы для этих видов тканей и игл.
14 (90)	Ткани средней плотности - хлопковое грубое полотно, парусина, шерсть, плотная вязаная ткань, махровая ткань, джинса.	Используйте полиэстровые или синтетические нити и иглы для тканей натурального плетения для получения наилучшего результата.
16 (100)	Среднеплотные ткани - брезент, шерсть, стеганые изделия, джинса, обивочные ткани (легкие и средние).	Всегда используйте верхнюю и нижнюю нити одного размера и качества.
18 (110)	Плотная шерсть, ткань для пальто, обивочные ткани, некоторые виды кожи и винил.	Плотная нить, штолпальная нить.

ВАЖНО: Соотношение размера иглы к размеру нити и плотности ткани.

ВЫБОР ТКАНИ И ИГЛЫ

Иглы	Посечение	Вид ткани
SINGER® 2020	Стандартные острые иглы. Размерный ряд от тонких к толстым. 9 (70) до 18 (110).	Натуральные ткани - шерсть, хлопок, шелк и т.д. Не рекомендуется для трикотажа двойной вязки.
SINGER® 2045	Иглы с закругленным острием 9 (70) до 18 (110).	Натуральные и синтетические ткани, полиэстр, одинарные и двойные трикотажки. А также лайкра, ткань для купальных костюмов, эластичные ткани.
SINGER® 2032	Двойные иглы. Иглы для кожи 12 (80) до 18(110)	Кожа, винил, обивочные ткани. (Следы проколов на ткани меньше, чем после использования стандартных игл).

Важно:

1. Для получения наилучших результатов всегда используйте подлинные иглы SINGER®.
 2. Часто меняйте иглы (примерно после каждого проекта) или при обрыве нитей и пропуске стежков).

□ Установка держателя лапки

Поднимите держатель лапки (а); Наденьте держатель лапки (b), как показано на рисунке (1).

Установка прижимной лапки

Опустите держатель прижимной лапки (b), пока выемка (c) не совпадет с осью (d). (2) Опустите держатель прижимной лапки и лапка (f) автоматически присоединится.

Снятие прижимной лапки

Поднимите прижимную лапку (3).

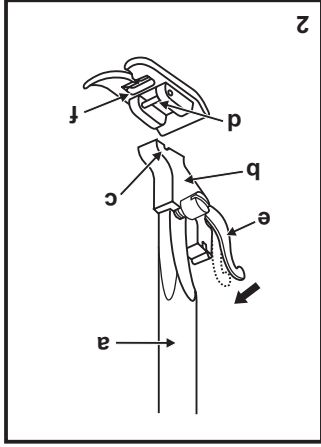
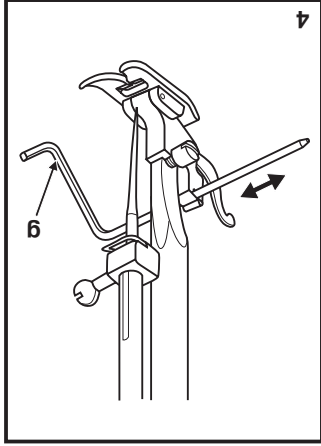
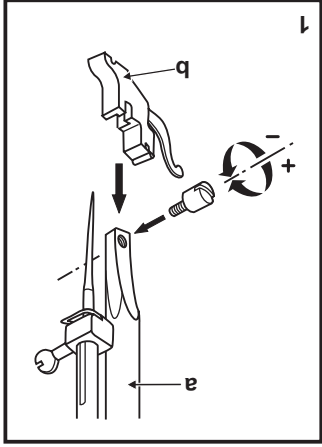
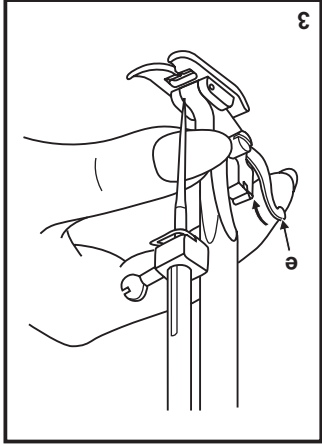
Поднимите рычаг (e) и лапка отсоединится.

Подсоединение направляющей линейки для краеобточного/стегального шва

Введите направляющую линейку для краеобточного/стегального шва (g) в отверстие, как показано на рисунке (4).

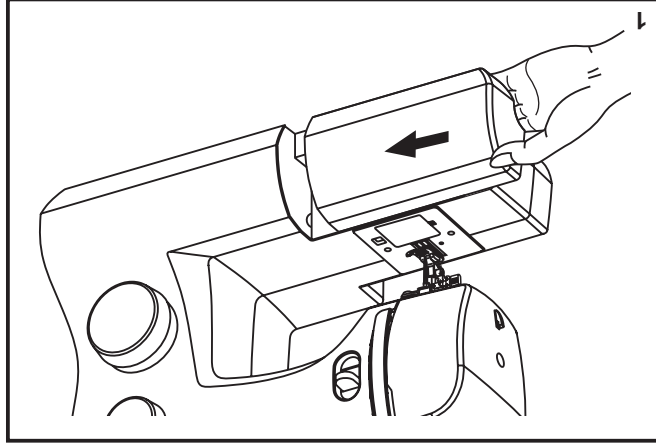
Настройте в соответствии с кромкой, каймой, складками или др.

Внимание: Пожарлиста, выключайте машину ("O") во время выполнения вышеуказанных операций!



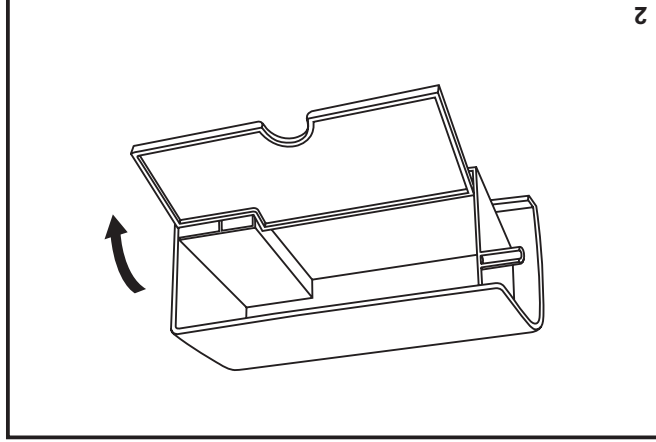
Установка съемной рабочей поверхности

Держите съемную рабочую поверхность горизонтально и задвиньте ее по направлению стрелок (1).



Внутренняя часть съемной рабочей поверхности может использоваться для хранения аксессуаров.

Откройте крышку съемного отсека как показано на рисунке (2).



□ Пришивание пуговицы

Установите штапальную пластину (1).
Смените универсальную лапку на лапку для пришивания пуговицы (2).
Установите длину стежка "0".

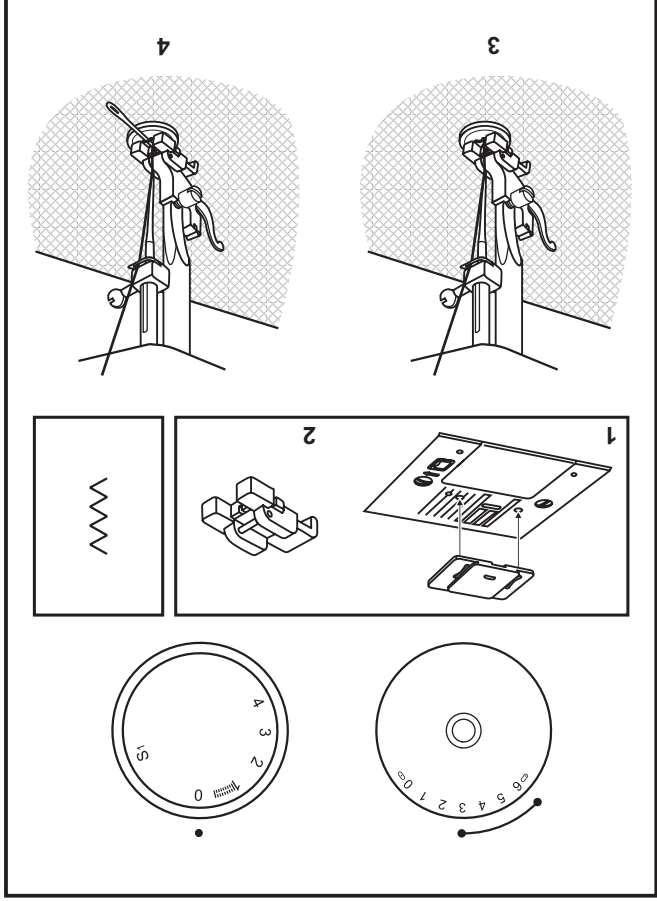
Расположите пуговицу и ткань под лапкой для пришивания пуговиц как показано на рисунке (3).

Переключите машину на строчку зиг-заг, затем установите ширину строчки "3" - "6". Поверните маховое колесо на себя, чтобы проверить, насколько точно игла входит в отверстие на пуговице. Если необходимо, настройте ширину стежка, ориентируясь на расстояние между отверстиями на пуговице. Медленно сделайте 10 стежков.

Поднимите иглу, чтобы она вышла из ткани. Переключите машину на прямую строчку, установите длину стежка "0" и сделайте несколько стежков для закрепки.

Если вы хотите сделать пуговиц на «ножке», положите штапальную толстую иглу поверх пуговицы. Для пуговиц с четырьмя отверстиями, пришейте сначала пуговицу через два отверстия, затем сдвиньте изделие и пришейте через

оставшиеся



□ Выметывание петли

- Подготовка:**
1. Снимите универсальную лапку и установите прижимную лапку для выметывания петли.
 2. Определите диаметр и толщину пуговицы, добавьте 0,3см на закрепки, сделайте метки для размещения петли на изделии (а).
 3. Расположите ткань под лапкой так, чтобы отмеченная линия петли на ткани совпала с центром лапки (b). Огнитее лапку.

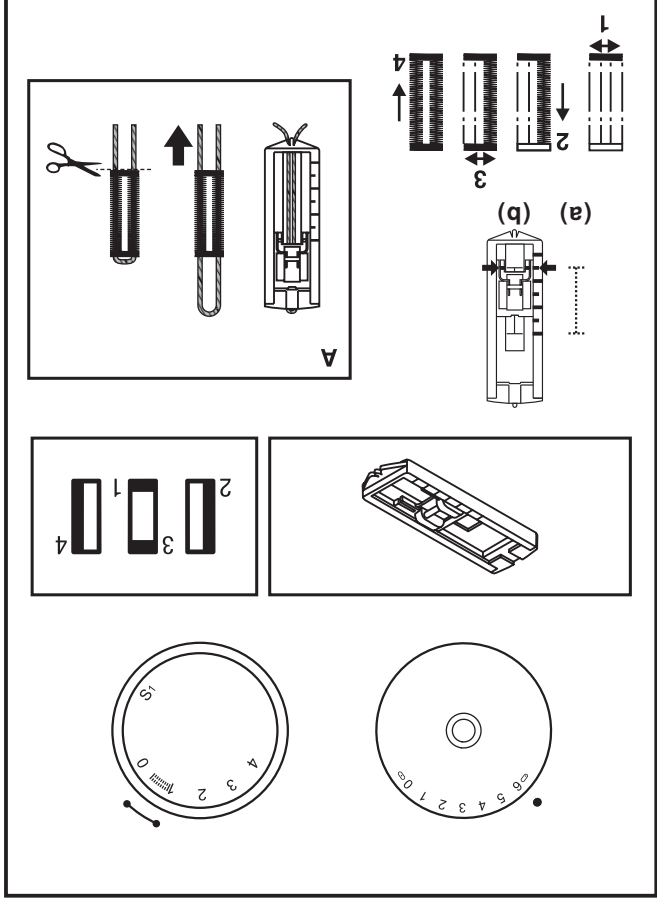
Установите регулятор длины стежка на отметку "0" для установки плотности выметывания петли. Установите ширину стежка "6". Возможно, потребуется настроить Рекомандуется выметать пробную петлю на отрезке выбранной ткани, чтобы проверить правильность настроек.

Важно:
Плотность выметывания петли выбирается в зависимости от типа выбранной ткани. Рекомендуется выметать пробную петлю на отрезке выбранной ткани.

Последовательно переключая регулятор выбора программ по шагам выметывания петли с 1-4, следите за тем, чтобы игла находилась в наивысшем положении. Рекомендуется не делать много стежков на шагах "1" и "3". Избежать распарывания, вы пропечете необходимое отверстие в петле от краев по направлению к центру.

Советы:

- Натяжение верхней нити рекомендуется ослабить.
- При выметывании петлю обязательно подкладываете стабилизатор.
- Петли будут более аккуратными, если их выполнять более толстыми нитками. На эластичных тканях рекомендуется делать петлю с вкладной нитью или шнуром (A).



□ Потайная подрубочная строчка

Потайная подрубочная строчка идеально подходит для обработки края на шторах, бюксах, юбках и т.д.

▲▲▲ Потайная подрубочная строчка для стандартных тканей

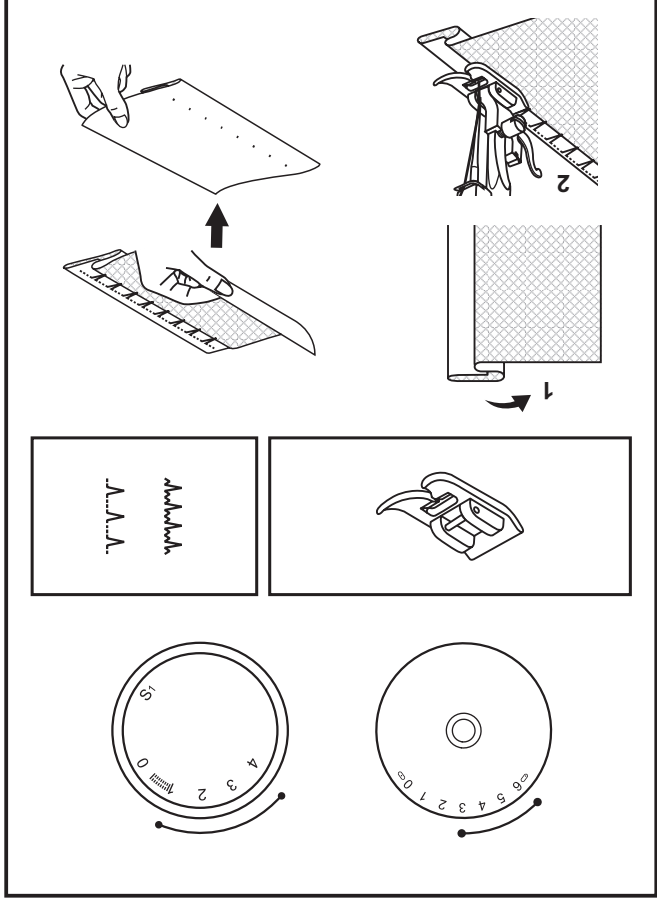
▲▲▲ Потайная подрубочная строчка для эластичных тканей

Поверните регулятор длины стежка вправо. Для такого вида строчек необходимо установить большую длину стежка. Принимая во внимание тип и плотность выбранной ткани, установите ширину стежка так, как это показано на рисунке. Обычно для тонких тканей необходимо устанавливать меньшую ширину стежка, чем для плотных тканей. Рекомендуются сначала потренироваться на отрезке такой же ткани, чтобы убедиться, что настройки подходят выбранной ткани.

Потайная подрубочная строчка: Подогните край на желаемую ширину и прижмите. Теперь подверните складку еще раз (как показано на рисунке 1) так, чтобы кромка выступала приблизительно на 7 мм справа от сложенной ткани. Медленно начинайте шить, убедитесь, что игла захватывает несколько нитей верхней складки (2).

Заключив шить, разверните ткань и прогладайте.

Важно: Для получения лучшего результата используйте Прижимную лапку для потайной подрубочной строчки, которую Вы можете приобрести у дилера машин SINGER®. (Смотрите артикул на стр. 6)



□ Эластичные строчки

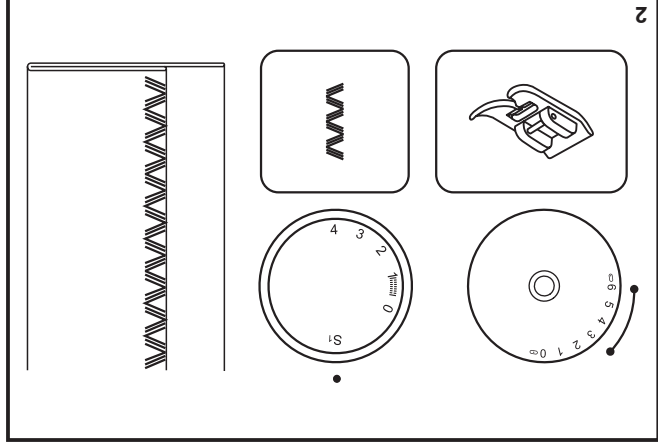
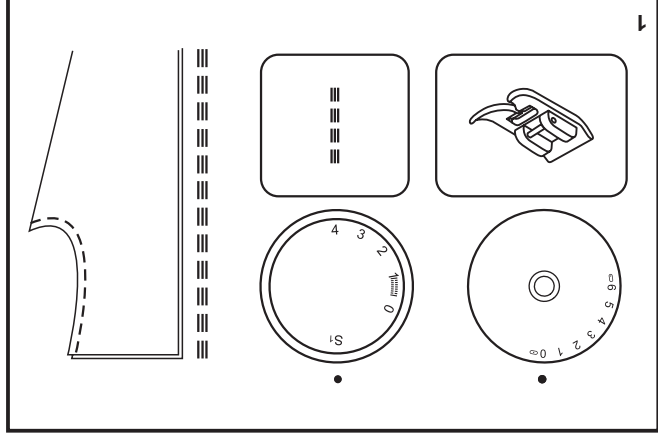
Эластичные строчки изображены синим цветом на регуляторе выбора строчек. Чтобы выбрать одну из эластичных строчек, переведите регулятор к изображению выбранной строчки. Затем переведите регулятор длины стежка к изображению "S1". Ниже описаны несколько видов эластичных строчек:

Прямая эластичная строчка (1)

С помощью регулятора выбора строчек установите программу "1" (или "1.1").
Применяется для эластичных тканей и швов, нуждающихся в укреплении. Машина делает два стежка вперед и один назад.

Усиленный зиг-заг (2)

С помощью регулятора выбора строчек установите программу "2" (или "2.1").
Установите ширину стежка между "3" и "6". Усиленный зиг-заг применяется для таких плотных тканей как: джинса, вельвет, поллин, парусина и т.д.



Режим шитья в обратном направлении

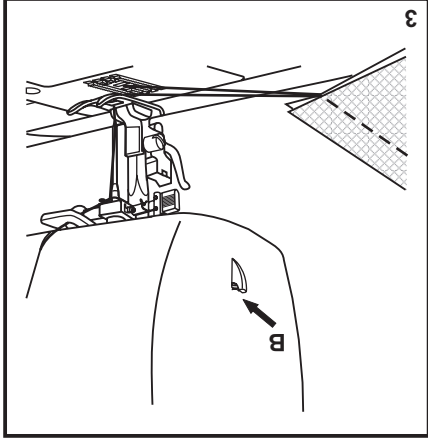
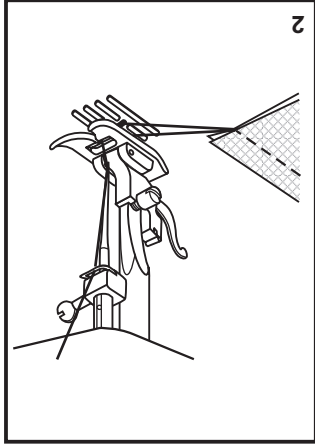
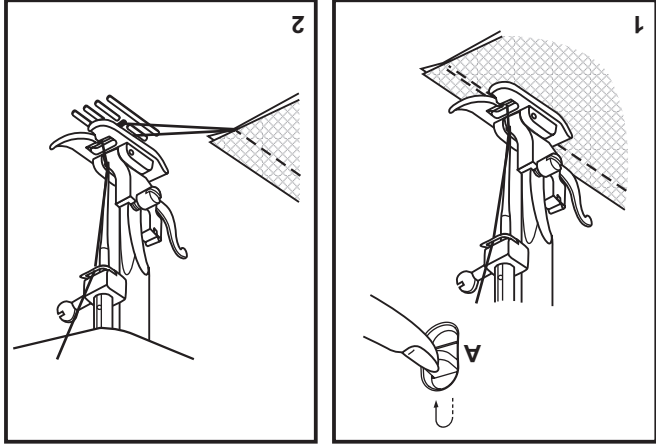
Для закрепления шва в начале и конце строчки, нажмите на рычаг шитья в обратном направлении (А).
Сделайте несколько стежков в обратном направлении. Отпустите рычаг, и машина снова будет шить вперед (1).

Оканчивание шитья

Поверните маховое колесо против часовой стрелки для того, чтобы привести рычаг-нитенатягиватель в самое верхнее положение.
Поднимите прижимную лапку и вытяните изделие назад за область иглы (2).

Обрезание нитей

Вытяните обе нити назад за прижимную лапку. Заведите нити за специальный нож для обрезания нитей, расположенный на корпусе машины (В). Потяните за нити вниз, чтобы их отрезать (3).

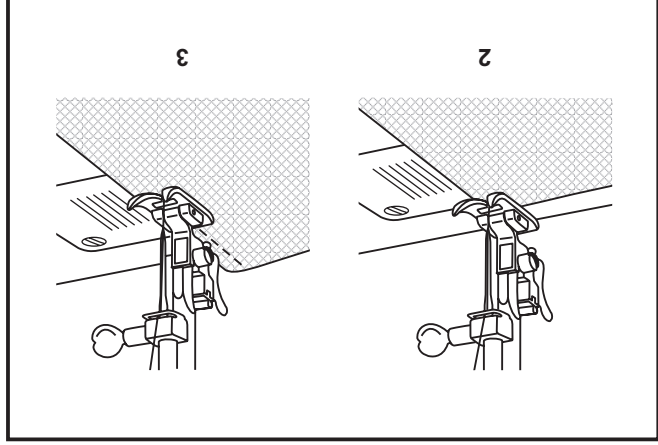
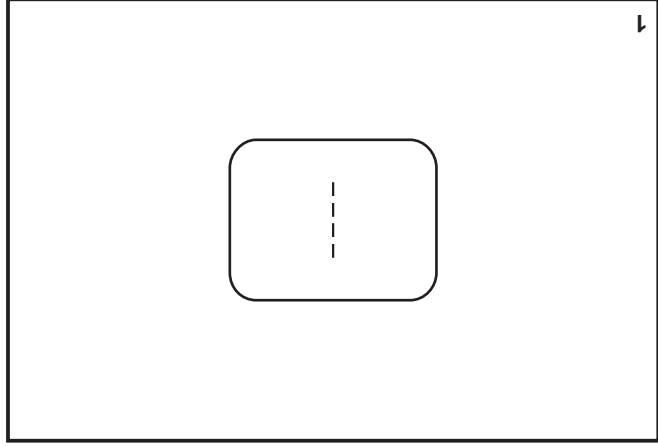


Прямая строчка

Для начала, установите Регулятор выбора строчек на прямую строчку (1).

Разместите ткань под прижимной лапкой так, чтобы край ткани совпадал с одной из выбранных отметок на игольной пластине (2).

Опустите прижимную лапку, нажмите на педаль управления, чтобы начать шить (3).



□ Регулятор ширины стежка и Регулятор длины стежка

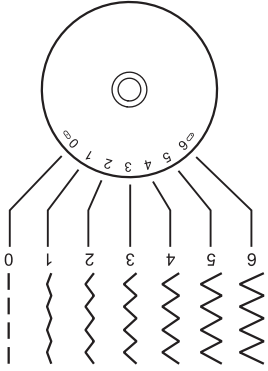
Использование регулятора ширины стежка
 Максимальная ширина стежка для строчки зиг-заг 6мм; для многих строчек ширина стежка может быть уменьшена. Ширина стежка увеличивается, когда вы поворачиваете регулятор от "0" до "6" (1). С помощью регулятора ширина стежка вы можете настроить положение иглы. "0" - это центральное положение иглы, "6" - крайнее левое положение иглы.

Использование регулятора длины стежка для строчки зиг-заг

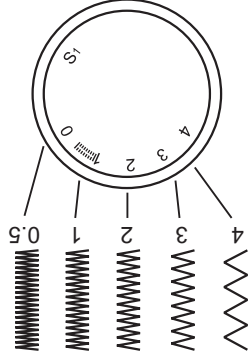
Переведите регулятор выбора строчки в режим строчки зиг-заг. Плотность застила строчки зиг-заг будет увеличиваться с уменьшением показателя длины стежка "0"; Аккуратный вид строчки зиг-заг обычно достигается при длине стежка "3,0" или меньше (2). Плотная строчка зиг-заг называется гладевой (2).

Использование регулятора длины стежка для прямой строчки

Установите прямую строчку. Поверните регулятор длины стежка в сторону отметки "0", при этом длина стежка уменьшится. Длина стежка будет увеличиваться по мере вращения регулятора в сторону отметки "4". Рекомендуется использовать большую длину стежка для плотных тканей, толстых нитей и игл. Для тонких тканей, тонких нитей и игл, рекомендуется устанавливать меньшую длину стежка.



1



2

Выбор строчки

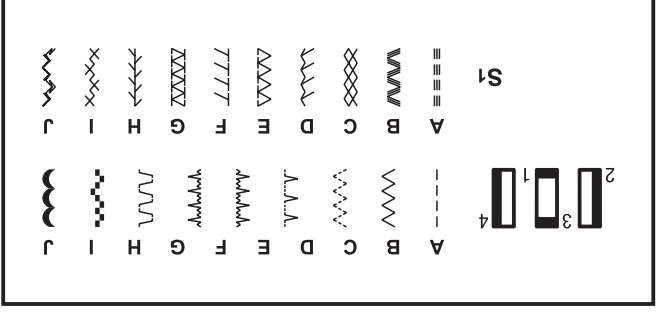
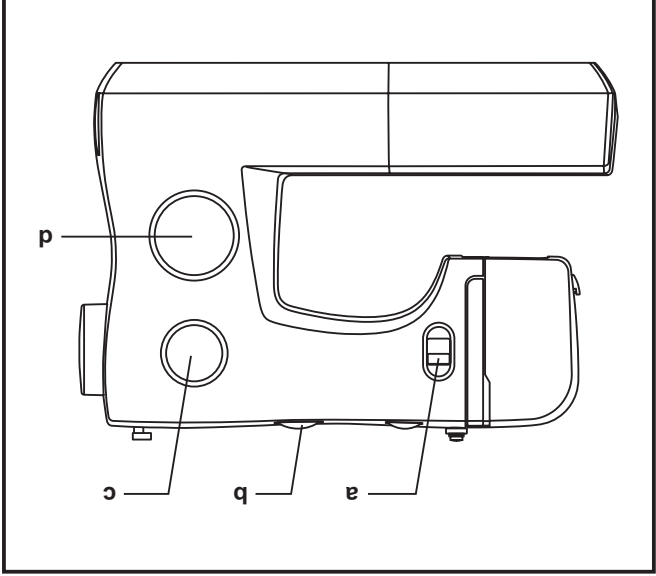
На рисунке вы увидите изображение всех видов строчек, которые доступны на вашей машине.

Строчки, изображенные в верхнем ряду на рисунке, на регуляторе строчек изображены серым цветом. Вращая регулятор, вы можете выбрать одну из строчек, изображенных в сером цвете. С помощью регулятора длины стежка (с) вы можете настроить длину стежка. С помощью регулятора ширины стежка (b) вы можете настроить ширину стежка.

Строчки, которые изображены в нижнем ряду на рисунке, на регуляторе строчек изображены синим цветом. Синий цвет обозначает, что это эластичные строчки; информацию об их применении вы найдете на стр. 17.

Регулятор выбора строчек можно вращать в любую сторону.

- a. Рычаг режима шитья в обратном направлении
- b. Регулятор ширины стежка
- c. Регулятор длины стежка
- d. Регулятор выбора строчек



□ Натяжение нити

Натяжение верхней нити

Стандартное натяжение нити - положение: "4" (1)

Для увеличения натяжения нити поверните регулятор на большее значение. Для уменьшения натяжения переведите регулятор на меньшее значение.

A. Нормальное натяжение нити для прямой строчки.

B. Недостаточное натяжение нити для прямой строчки.

C. Слишком сильное натяжение нити для прямой строчки.

Переведите регулятор на меньшее значение.

D. Нормальное натяжение для zigzag-образной и декоративной строчки. Регулируйте натяжение нити в случае, когда некоторое количество верхней нити

появляется на обратной стороне ткани.

Натяжение нижней нити

Правильное натяжение нижней нити было отрегулировано на заводе-изготовителе, вам не нужно его менять.

Важно:

- Правильная настройка натяжения нити очень важна для качества шитья.

- Нет определенной степени натяжения нити, пригодного для всех видов строчек, нитей и тканей.

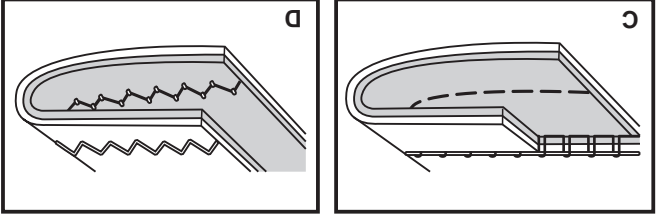
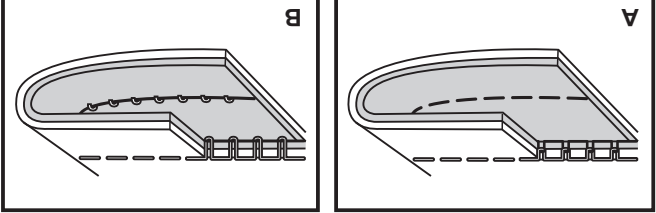
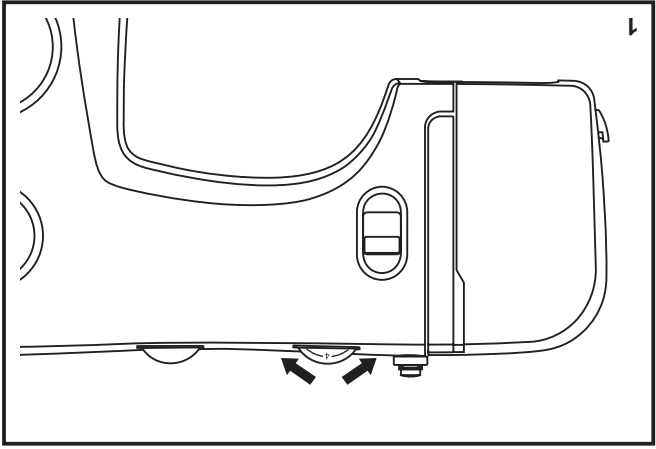
- Сбалансированное натяжение нити (соединение верхней и нижней нитей происходит между двух слоев ткани)

- рекомендуется только для прямой строчки.

- 90% всех работ будет производиться при натяжении нити от "3" до "5".

- Для zigzag-образных и декоративных строчек натяжение нити должно быть меньше, чем для прямой строчки.

- Все декоративные строчки будут иметь аккуратный вид, если перелетение нижней и верхней нитей будет происходить на изнаночной стороне изделия.



□ Подъем нижней нити

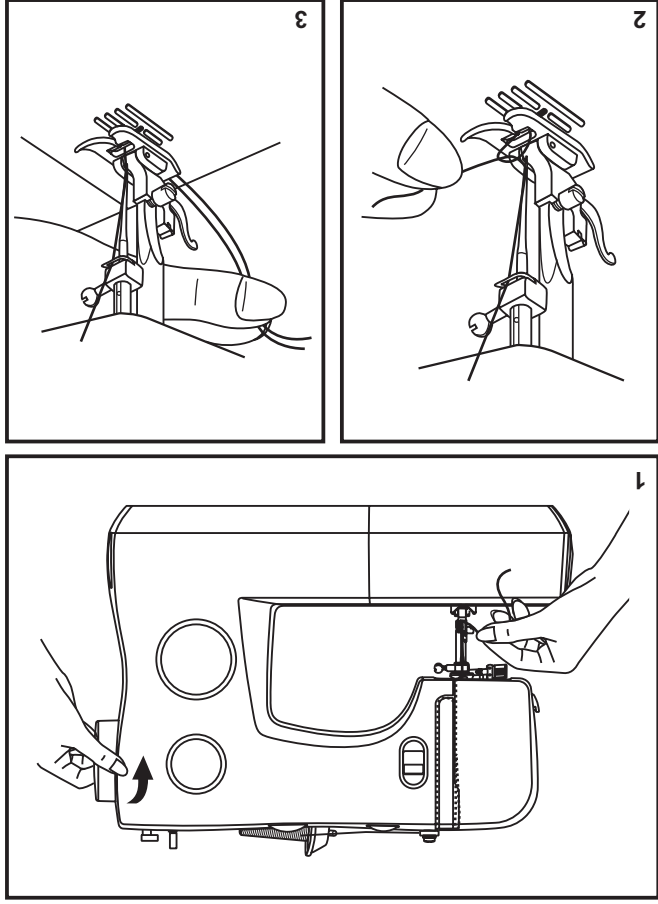
Поддерживайте верхнюю нить левой рукой. Поверните маховое колесо (1) на себя (против часовой стрелки), опустите и затем поднимите иглу.

Важно:
Если возникли сложности с поднятием нижней нити, поверьте, возможно, она застряла в съемной рабочей поверхности.

Иглу потяните за верхнюю нить и достаньте нижнюю нить, которая появится через отверстие в игольной пластине (2).

Затем проведите обе нити назад за прижимную лапку (3).

11



□ Автоматический нитедвдатель

- Поднимите иглу в наивысшее положение.

- Отпустите рычаг (А) вниз до конца.

- Автоматический нитедвдатель встанет в положение (В).

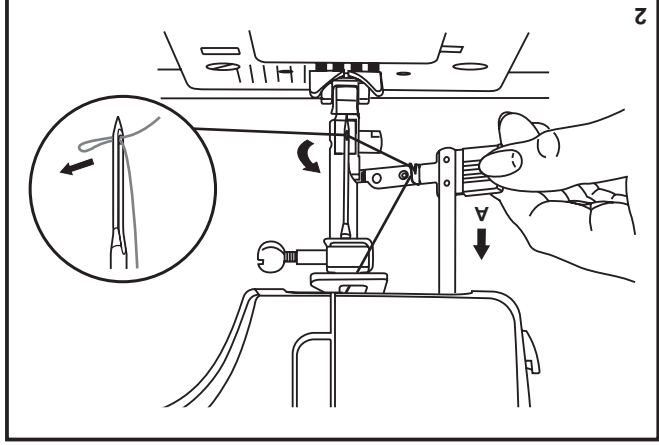
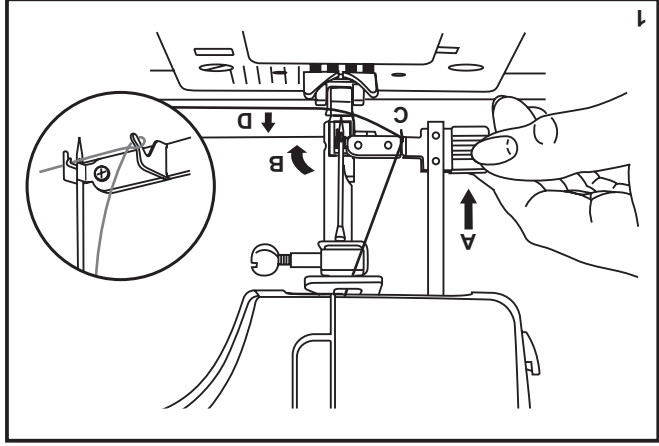
- Зацепите нить за крючок (С).

- Проведите нить перед иглой вокруг крючка (D) снизу
вверх.

- Отпустите рычаг (А).

- Протяните нить через игльное ушко.

Важно:
При использовании автоматического нитедвдателя
выключайте машину.



□ Заправка верхней нити

Это простая операция, но очень важно выполнить ее правильно, чтобы избежать появления проблем при шитье.

- Поднимите иглу в наивысшее положение (1) и продолжайте поворачивать маховое колесо на себя, против часовой стрелки, пока игла слегка не опустится. Поднимите прижимную лапку, чтобы диск регулирующий натяжение нити освободился.

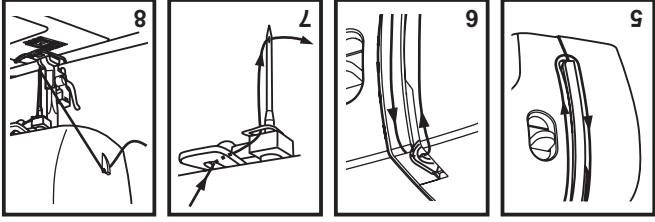
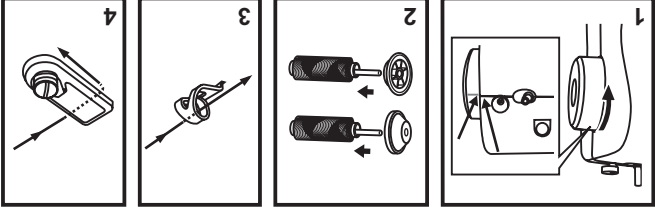
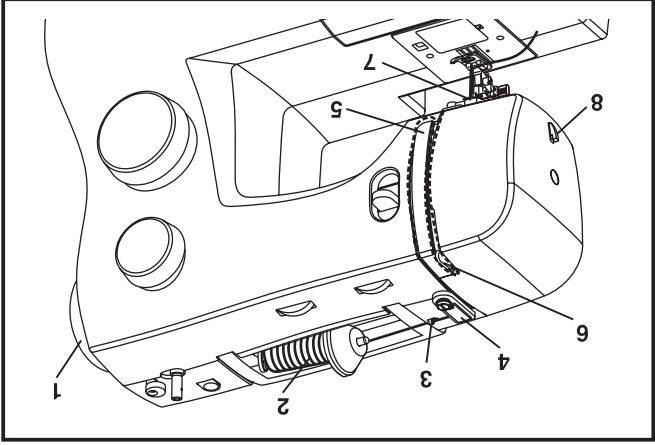
- Поднимите держатель для катушки. Разместите катушку инток на держателе, так чтобы нить разматывалась, как это показано на рисунке. Для маленьких катушек рекомендуется надевать малую катушечную пластину после катушки (2).

- Протяните нить от катушки через верхний нитенаправитель (3) и через диск натяжения, как показано на рисунке (4). Пропустите нить вниз через правый канал и вверх через левый (5). Во время заправки нити рекомендуется придерживать нить между катушкой и нитенаправителем.

- Заверните нить в глазок металлического рычага-интепритягивателя справа налево и опустите нить вниз. (6)

- Теперь пропустите нить за металлическим нитенаправителем и за тонкой металлической скобой над иглой (7), затем заправьте нить в игльное ушко, проведя нить серединой назад. Вытяните примерно 15см нити через ушко иглы и обрежьте с помощью встроенного ножа (8).

6



Установка шпульки

При установке или изъяти шпульки игла **должна** находиться в наивысшем положении.

1. Установите шпульку в шпульное гнездо, так чтобы нить разматывалась против часовой стрелки.

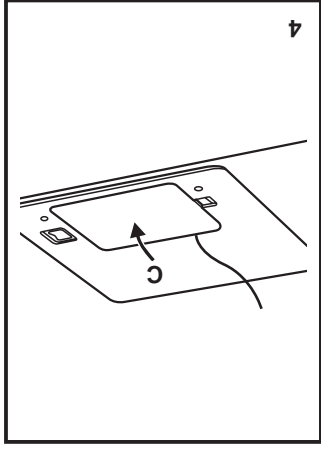
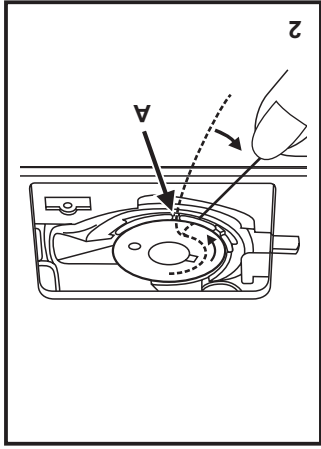
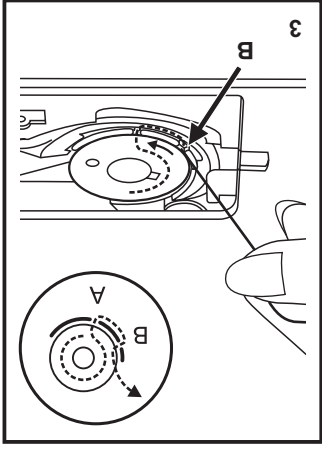
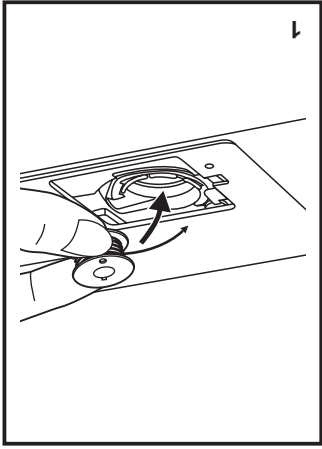
2. Протяните нить через прорез (А).

3. Потяните нить в направлении по ходу часовой стрелки пока она не попадет в выемку (В).

4. Вытяните примерно 15см нити и установите крышку на место (С).

Внимание:

Всегда выключайте машину ("0") перед установкой или изъятием шпульки.



□ Намотка нити на шпульку

- Наденьте катушку на горизонтальный держатель и закрепите при помощи большой или малой катушечной пластины (1/2).

- Проведите нить в нитенаправитель (3).

- Обведите нить вокруг диска регулируемого натяжения нити по часовой стрелке (4).

- Заправьте нить в шпульку и установите шпульку на

рычаге (5).

- Отведите рычаг вправо (6).

- Придерживайте конец нити (7).

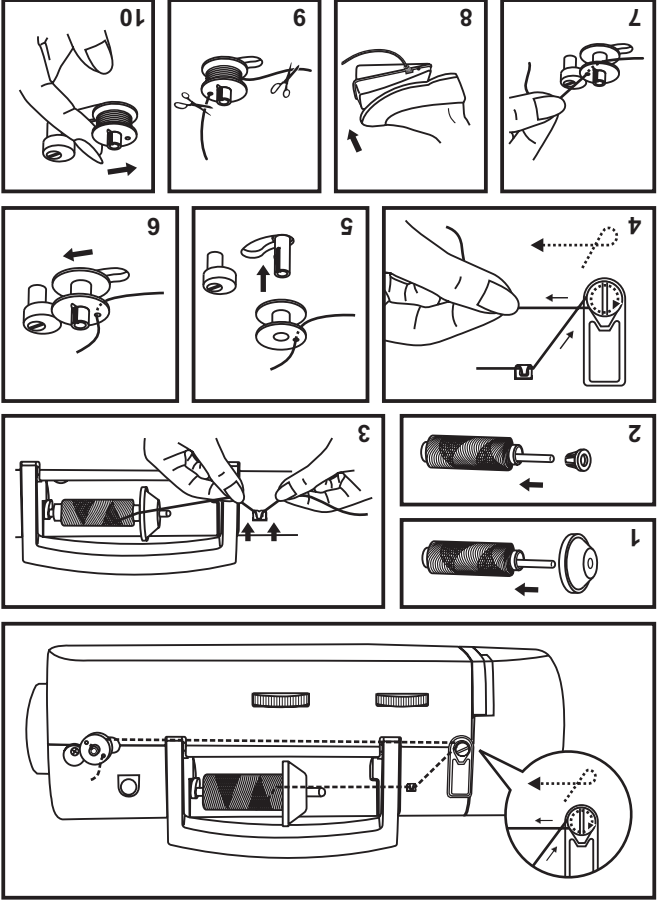
- Надавите на педаль (8).

- Обрежьте нить (9).

- Отведите рычаг влево (10) и снимите шпульку.

Пожалуйста, запомните:

Когда рычаг намотки шпульки находится в положении "намотка шпульки", машина не будет шить, и маховое колесо не будет вращаться. Для того чтобы шить, отведите рычаг в крайнее левое положение.



□ Аксессуары

Стандартные аксессуары (1)

- a. Универсальная лапка
- b. Лапка для вшивания молнии
- c. Лапка для выметывания петель
- d. Лапка для пришивания пуговиц
- e. Распарыватель/кисточка
- f. Направляющая линейка для краеобметочного/стегального шва

g. Набор игл

- h. Катущие пластины

i. Шпульки (3шт.)

- j. Отвертка

k. Штормальная пластина

- l. Дополнительные держатель катушки

m. Фетровая подкладка

- n. Мягкий чехол

Дополнительные аксессуары (2)

(Этих 10 аксессуаров нет в комплектации машины, вы можете приобрести их у дилера):

o. Лапка для гладящих строчек

- p. Оверлочная лапка

q. Лапка для поликового шва

- r. Лапка для вшивания шнура

s. Лапка для невидимой подгибки

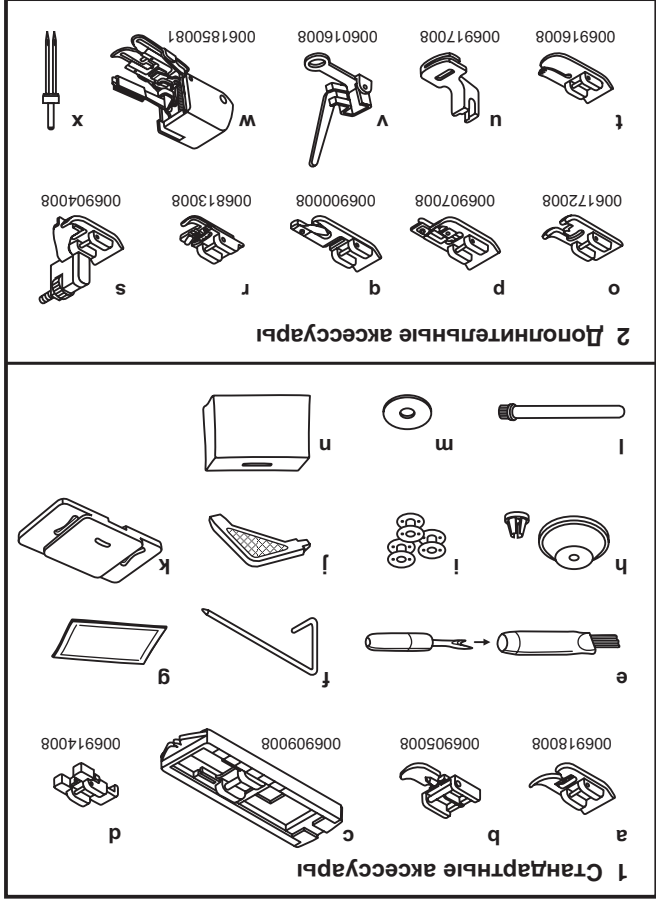
- t. Лапка для квилтинга/прямой строчки

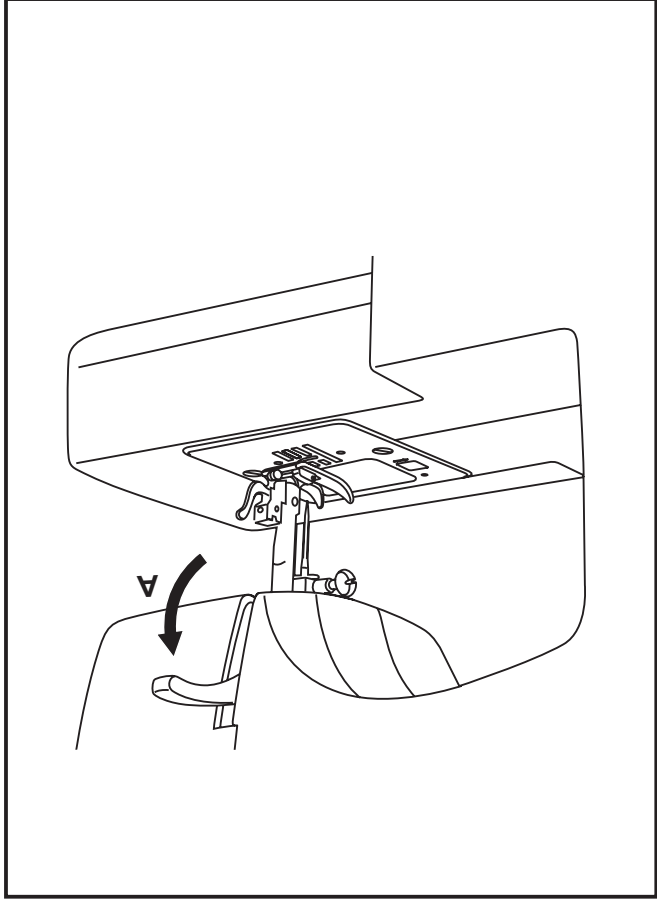
u. Лапка для многослойного сшивания

- v. Лапка для штопки/вышивания

w. Лапка с верхним транспортером

- x. Двойная игла





5

При шитье многослойных или объемных тканей прижимная лапка должна быть поднята в самое верхнее положение для облегчения прохождения ткани под прижимной лапкой (A).

Двух-шаговый подъем лапки

□ Подключение машины к электросети

Подключите машину к электросети, как показано на рисунке (1).

Вставьте вилку в розетку (2).

Внимание:
Отключайте машину от сети, если не используете ее длительное время.

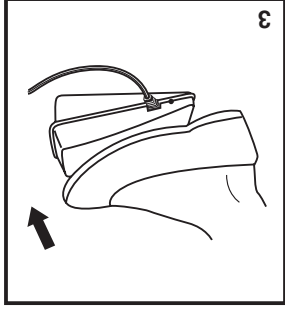
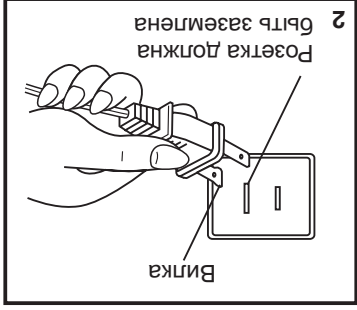
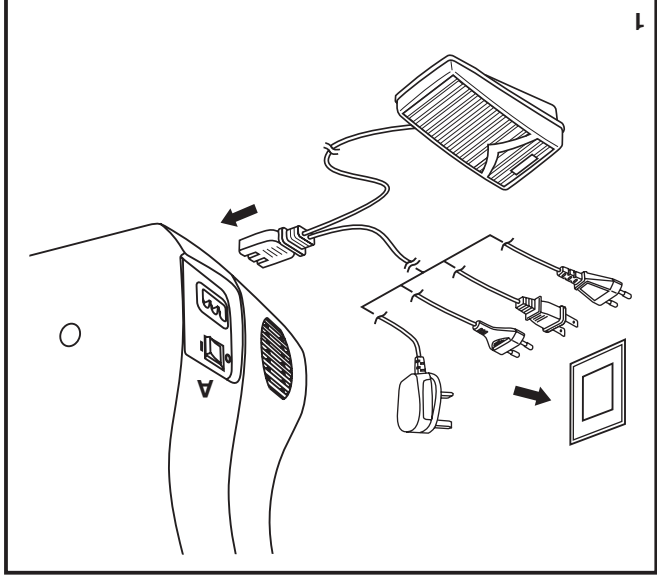
Педаль управления

При помощи ножной педали вы регулируете скорость машины (3).

Внимание:
Проконсультируйтесь со специалистом, если вы сомневаетесь относительно напряжения в сети. Отсоединяйте сетевой шнур, если не используете машину. Тип педали в соответствии с напряжением KD-2902 (220-240V).

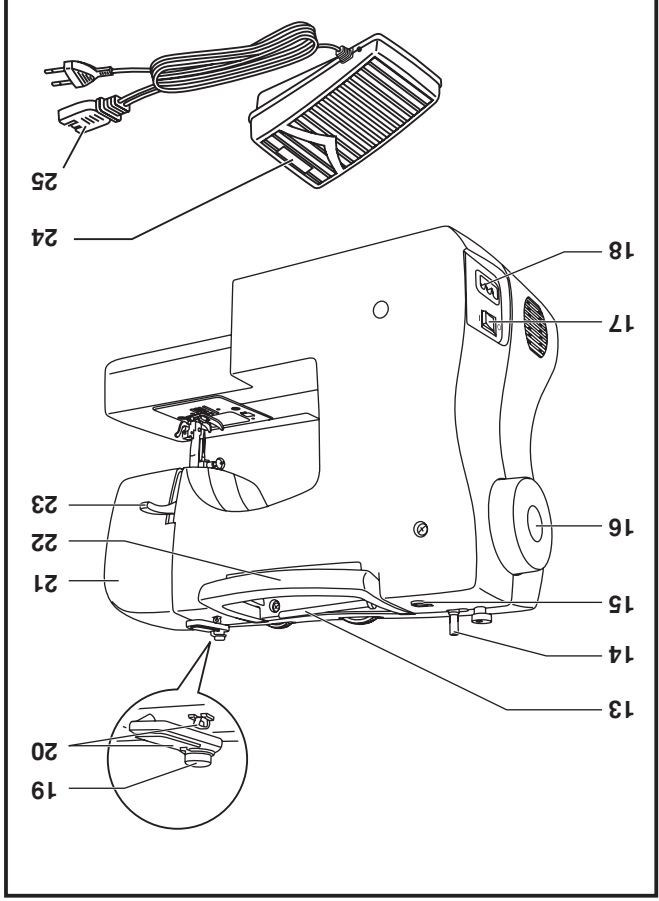
Освещение
Нажмите на главный выключатель (A) для включения машины и лампочки "I".

4



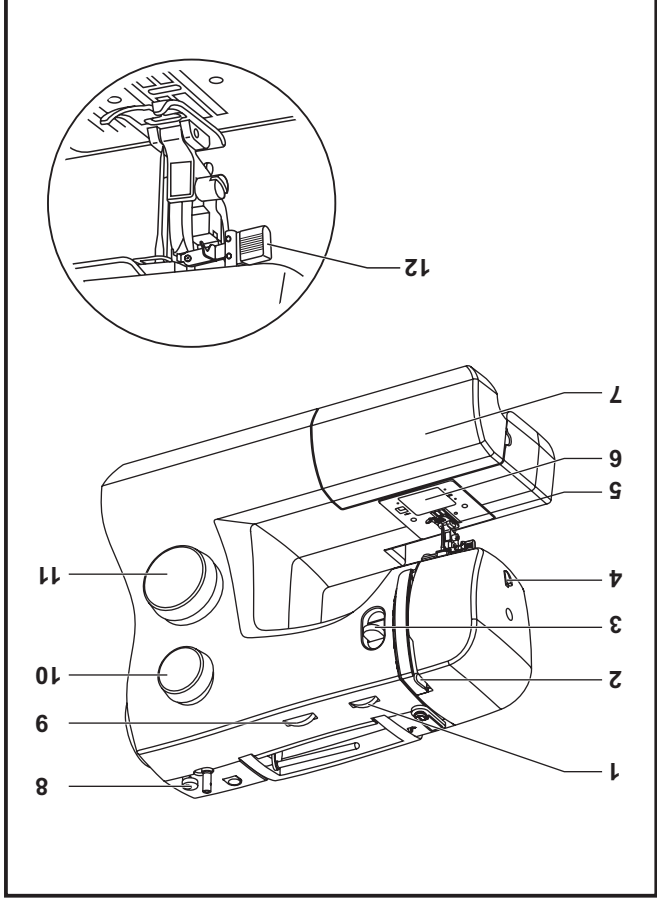
□ Основные части машины

- 13. Горизонтальный держатель для катушки
- 14. Рычаг намотки шпульной нити
- 15. Отверстие для второго держателя катушки
- 16. Маховое колесо
- 17. Включение машины и освещения
- 18. Главный разъем для шнура
- 19. Нитенаправитель шпульной нити
- 20. Нитенаправитель верхней нити
- 21. Боковая панель
- 22. Ручка
- 23. Рычаг подъема прижимной лапки
- 24. Педаль управления
- 25. Шнур



□ Основные части машины

1. Регулятор натяжения верхней нити
2. Рычаг-интерпритиватель
3. Рычаг шитья в обратном направлении
4. Нож для обрезания нити
5. Прижимная лапка
6. Задвижная крышка шпульного отсека
7. Съемный отсек для хранения аксессуаров
8. Ограничитель для намотки шпульной нити
9. Регулятор ширины стежка
10. Регулятор длины стежка
11. Регулятор выбора строчки
12. Автоматический интвдватель



ЗНАКОМСТВО С МАШИНОЙ	
Основные части машины	2/3
Подключение машины к электросети	4
Дых-шаговый подъем лапки	5
Аксесуары	6
Заправка верхней нити	
Намотка нити на шпульку	7
Установка шпульки	8
Заправка верхней нити	9
Автоматический нитедеватель	10
Подъем нижней нити	11
Натяжение нити	12
Шитье	
Выбор строчки	13
Регулятор ширины стежка и Регулятор длины стежка	14
Прямая строчка	15
Режим шитья в обратном направлении/Окончание шитья/Обрезание нитей	16
Эластичные строчки	17
Потайная подрубочная строчка	18
Выметывание петель	19
Пришивание пуговицы	20
Основная информация	
Установка съемной рабочей поверхности	21
Установка держателя лапки	22
Таблица соответствия типов Иглы/Ткани/Нитей	23
Щитопальная пластина	24
Уход за машиной и выявление неполадок	
Установка и смена иглы	25
Замена лампочки	26
Неполадки и их устранение	27

Поздравляем

Вы стали обладателем новой швейной машины и теперь можете начать открывать новые пути в творчестве.

С этого момента вы узнаете насколько легко и удобно можно шить на современной швейной машине.

Пожалуйста, внимательно прочитайте инструкцию по эксплуатации машины - это самый легкий путь для исследования творческого потенциала вашей машины.

Будьте уверены, что ваша машина обладает самыми современными швейными возможностями, так как производитель постоянно работает над усовершенствованием модификации, дизайна и принадлежностей своих швейных машин.

SINGER является зарегистрированной торговой маркой Singer Company Ltd. и ее филиалов.
© 2010 Singer Company Ltd. или ее филиалов.
Все права защищены по всему миру.

Правила техники безопасности

9. Включайте машину в положение "О", когда производите какие-либо действия в области илты.
10. Всегда отключайте машину от электросети, когда одеваете на нее чехол, проводите смазку или какие-либо технические действия, описанные в инструкции.
11. Нельзя вставлять посторонние предметы в отверстие машины.
12. Не используйте машину вне помещений.
13. Не допускается работа машины в местах использования азарозели, снега и т.д.
14. Для отключения необходимо перевести переключатель в положение "Включено-О" и затем извлечь штекер из розетки.
15. При извлечении из розетки нельзя тянуть за сетевой шнур, дергаться за штекер.
16. При нормальных условиях для работы уровня шума швейной машины 75дБ.
17. При обнаружении неисправностей в работе швейной машины, пожалуйста, выключите ее или отсоедините от сети питания.
18. Запрещается ставить какие-либо предметы на pedal управления.
19. В случае, если соединительный шнур pedal управления поврежден, он должен быть заменен производителем или авторизованным сервис центром во избежание поражения электрическим током.
20. Этот аппарат должен использоваться для использования людьми (в том числе и детьми) с ограниченными физическими, нервными или психическими возможностями, или недостатком опыта и осведомленности, за исключением случаев, когда потребители были даны соответствующие инструкции или эксплуатация прибора происходит под наблюдением лица, ответственного за их безопасность.
21. Дети могут работать со швейной машиной только под присмотром, чтобы исключить игру со швейной машиной.

БЕРЕЖНО ХРАНИТЕ ИНСТРУКЦИЮ

Эта швейная машина предназначена лишь для домашнего использования.

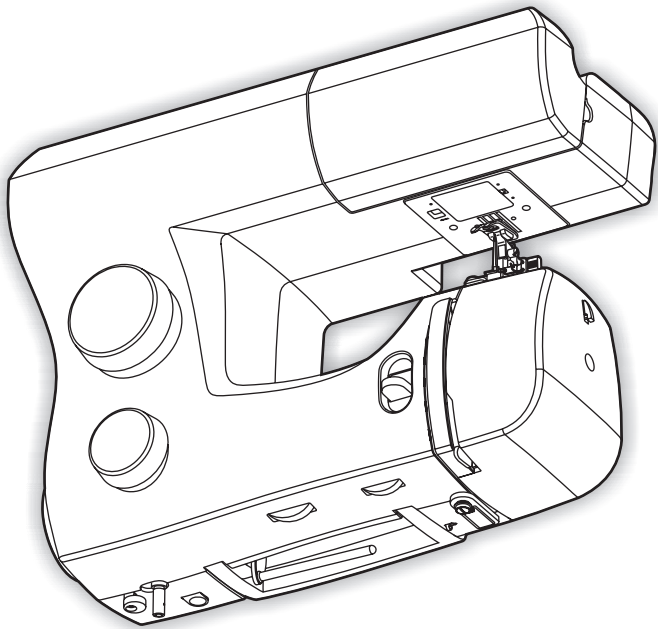
- Прежде чем включить швейную машину, внимательно прочитайте следующие рекомендации:
- ### ОПАСНО - во избежание электрического шока:
1. Нельзя оставлять включенную машину без присмотра.
 2. Необходимо отключать машину от электросети, если собираетесь ее чистить.
 3. Всегда выключайте машину перед заменой лаппочки. Лаппочка должна быть мощностью 15 W (220-240V).

ВНИМАНИЕ - Во избежание возгорания, электрического шока или увечья:

1. Не пользуйтесь машиной как игрушкой. Будьте особенно внимательны, если рядом находятся дети.
2. Пользуйтесь машиной только в соответствии с инструкцией. Используйте принадлежност и запасные части, указанные в инструкции и инии фирмой-производителем.
3. Нельзя включать машину, если поврежден шнур или штекер, если машина работает с перебоями, если произошло падение машины и намочение. Не пытайтесь ремонтировать машину самостоятельно, необходимо сразу обратиться в указанный в гарантийном талоне Сервисный Центр.
4. Нельзя работать на машине, если вентиляционные отверстия заблокированы. Всегда следите за состоянием швейной машины и pedal управления. Необходимо регулярно их чистить от пыли, ворса и нити.
5. Не допускайте попадания пыли в области илты.
6. Во время работы будьте внимательны в области илты. Всегда используйте только подходящую игольную пластину.
7. Несоблюдение игольная пластина может привести к поломке илты.
8. Регулярно меняйте илты, так как они со временем становятся тупыми, появляются заусенцы, что приводит к некачественной строчке.
9. Не тяните и не подталкивайте ткань во время шитья. Это может привести к поломке или искривлению илты.

3321 Инструктор по експлoатация

SINGER®



McGrp.Ru



Сайт техники и электроники

Наш сайт McGrp.Ru при этом не является просто хранилищем [инструкций по эксплуатации](#), это живое сообщество людей. Они общаются на форуме, задают вопросы о способах и особенностях использования техники. На все вопросы очень быстро находят ответы от таких же посетителей сайта, экспертов или администраторов. Вопрос можно задать как на форуме, так и в специальной форме на странице, где описывается интересующая вас техника.